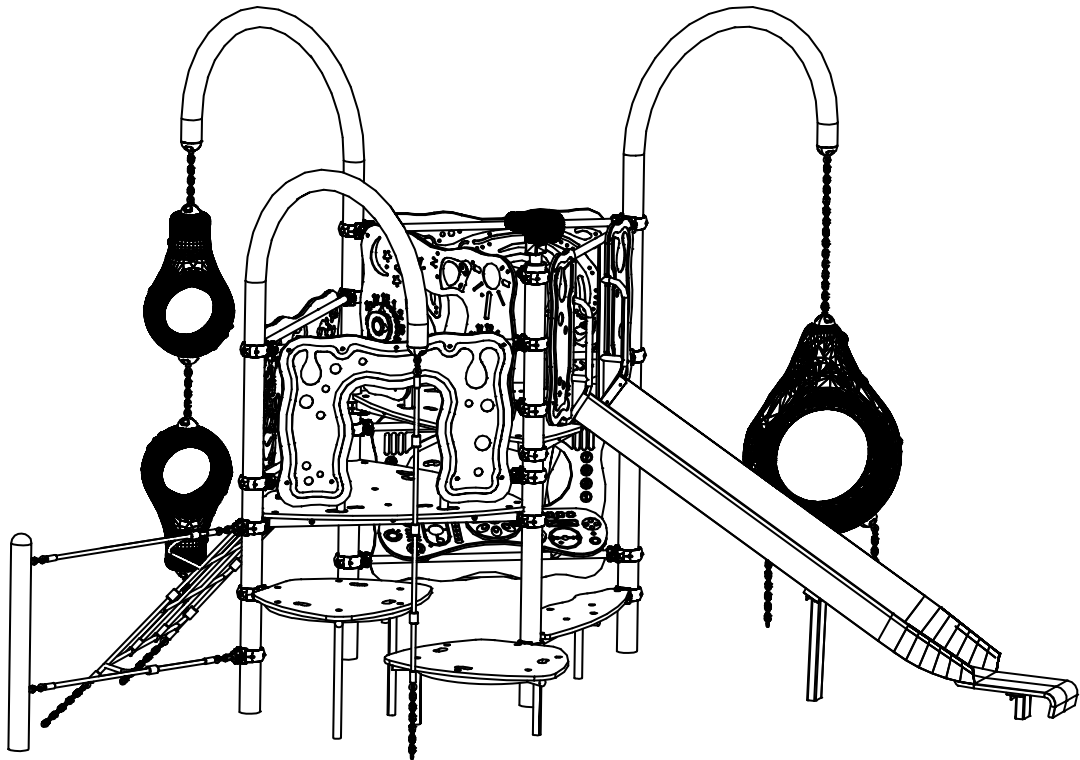
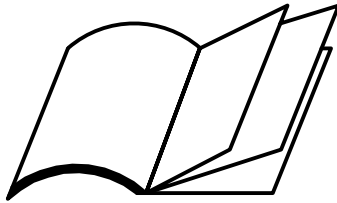


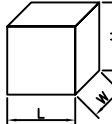
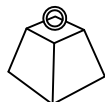

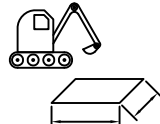
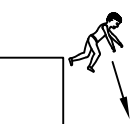

# HAGS

## ZINGO DU

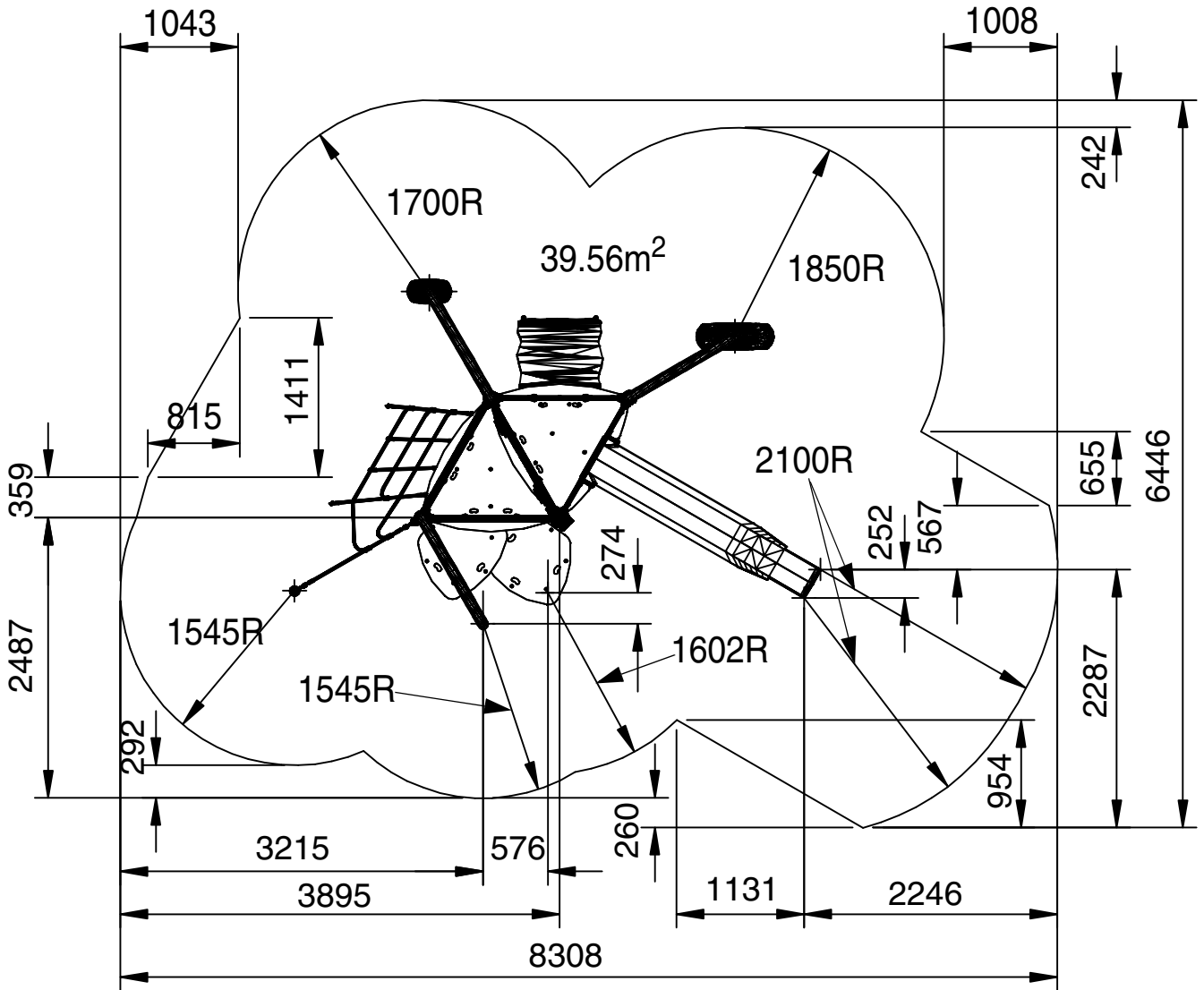
X-002/S, X-002/SD, X-002/P & X-002/PD



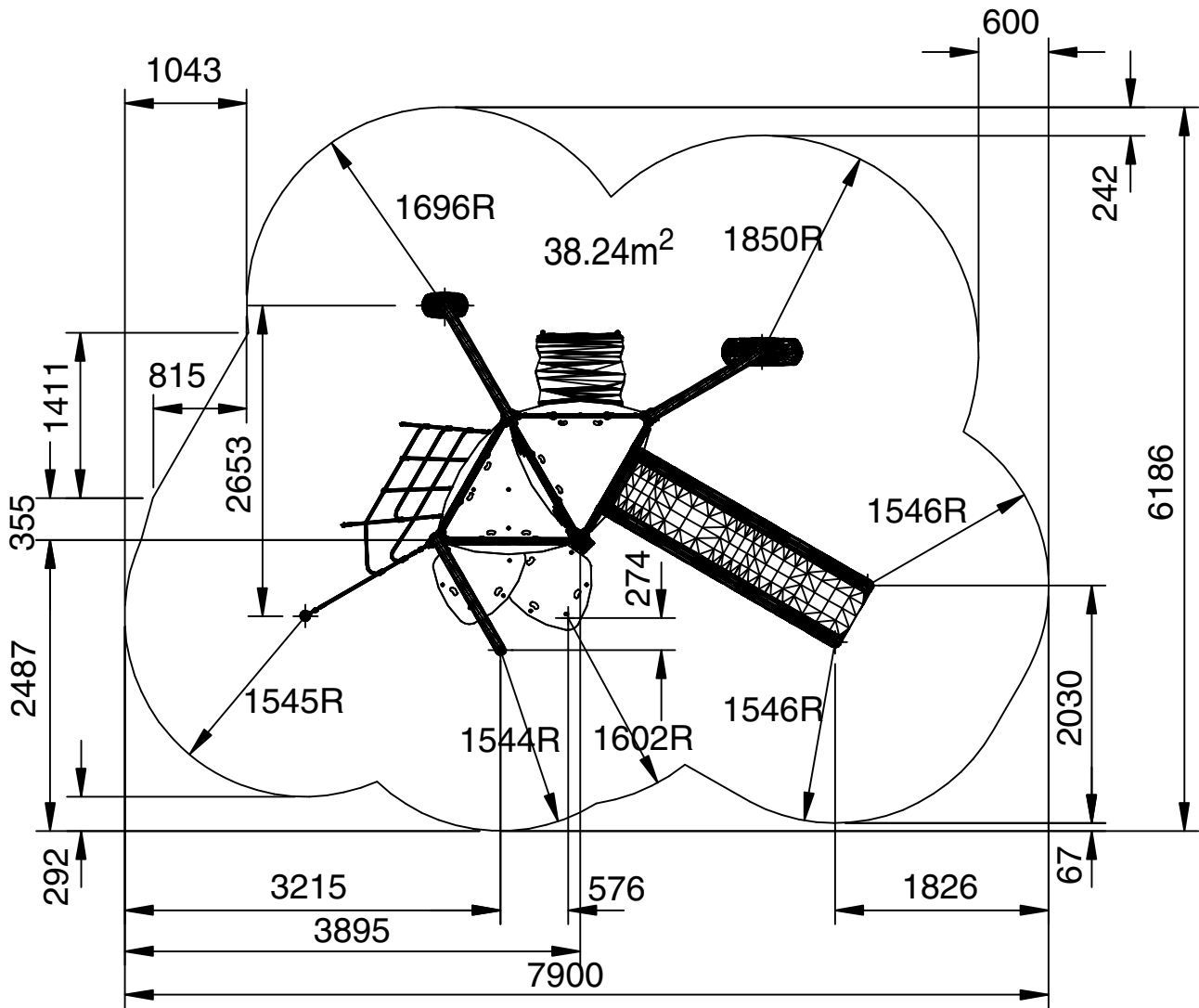


	 LxWxH (m)	 kg	 m <sup>3</sup>	 m	 ≥EN1176	 x 3= T
X-002/S	4.71 x 3.10 x 2.84	528.0	1.48	10.00 x 9.00	1.3m	72
X-002/P	4.90 x 3.10 x 2.84	576.0	1.46			

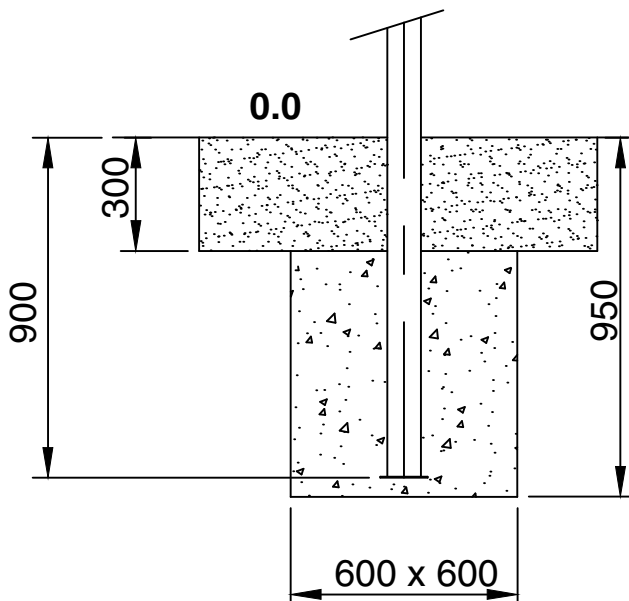
### X-002/S



# X-002/P

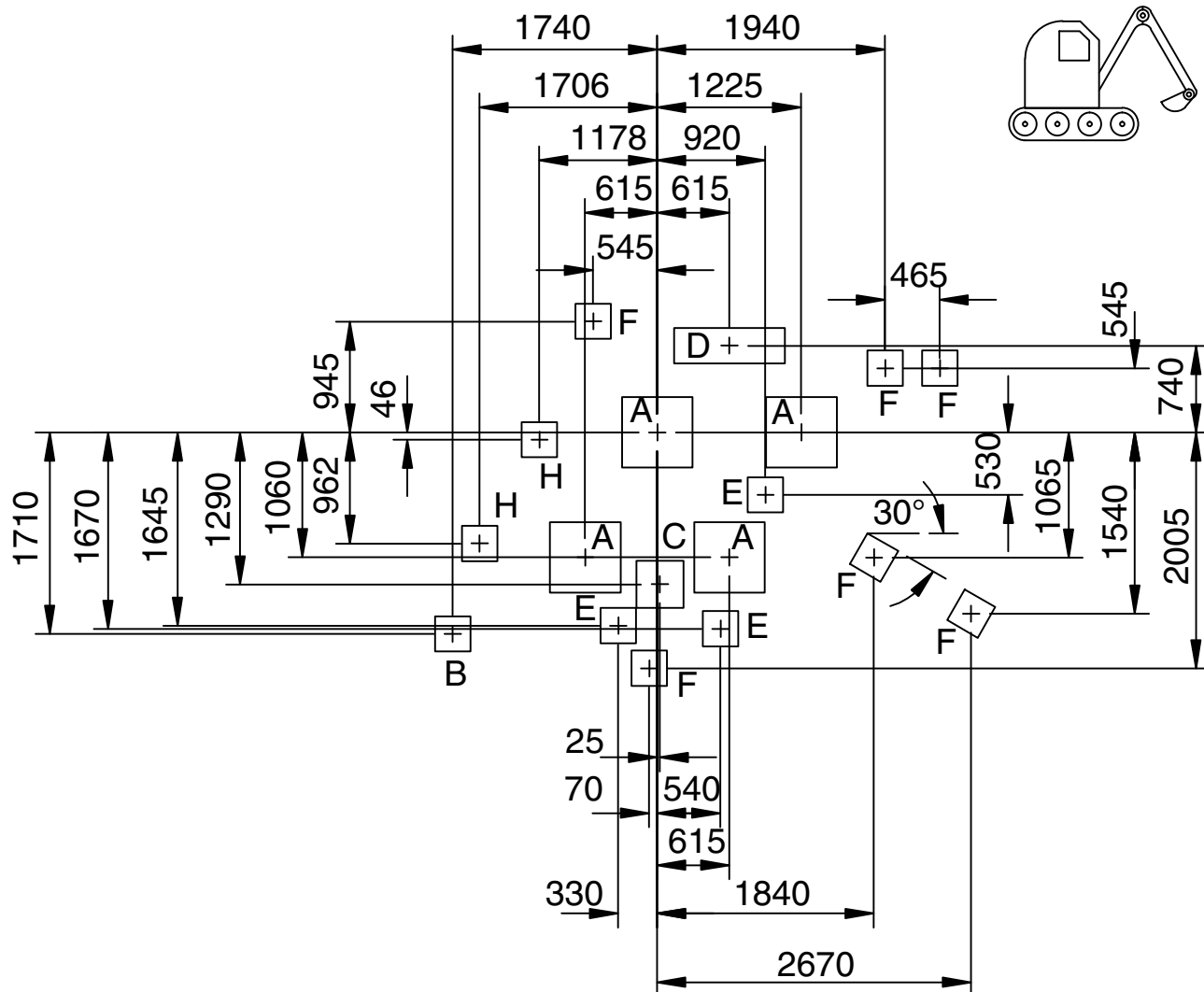


# X-002/S

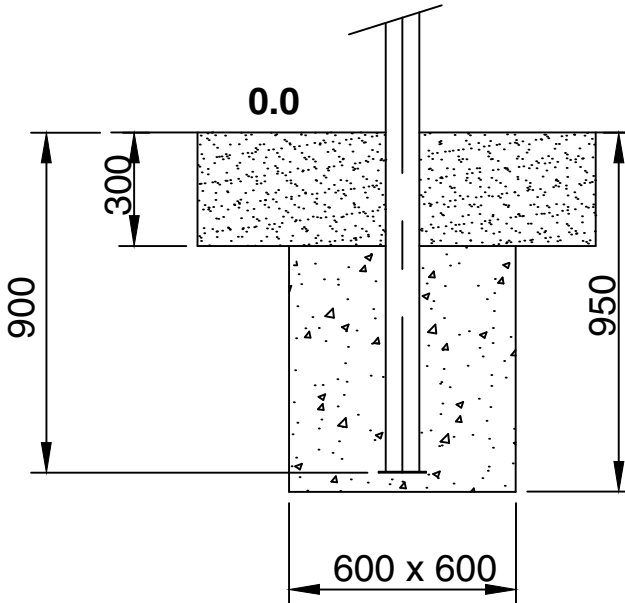


REF		L x W x D
'A'	m	0.60 x 0.60 x 0.95
'B'	m	0.30 x 0.30 x 0.80
'C'	m	0.40 x 0.40 x 0.70
'D'	m	0.94 x 0.30 x 0.70
'E'	m	0.30 x 0.30 x 0.70
'F'	m	0.30 x 0.30 x 0.65
'G'	m	0,30 x 0.30 x 0.43
'H'	m	0,30 x 0.30 x 0.63

TYPE 1/2  101/144

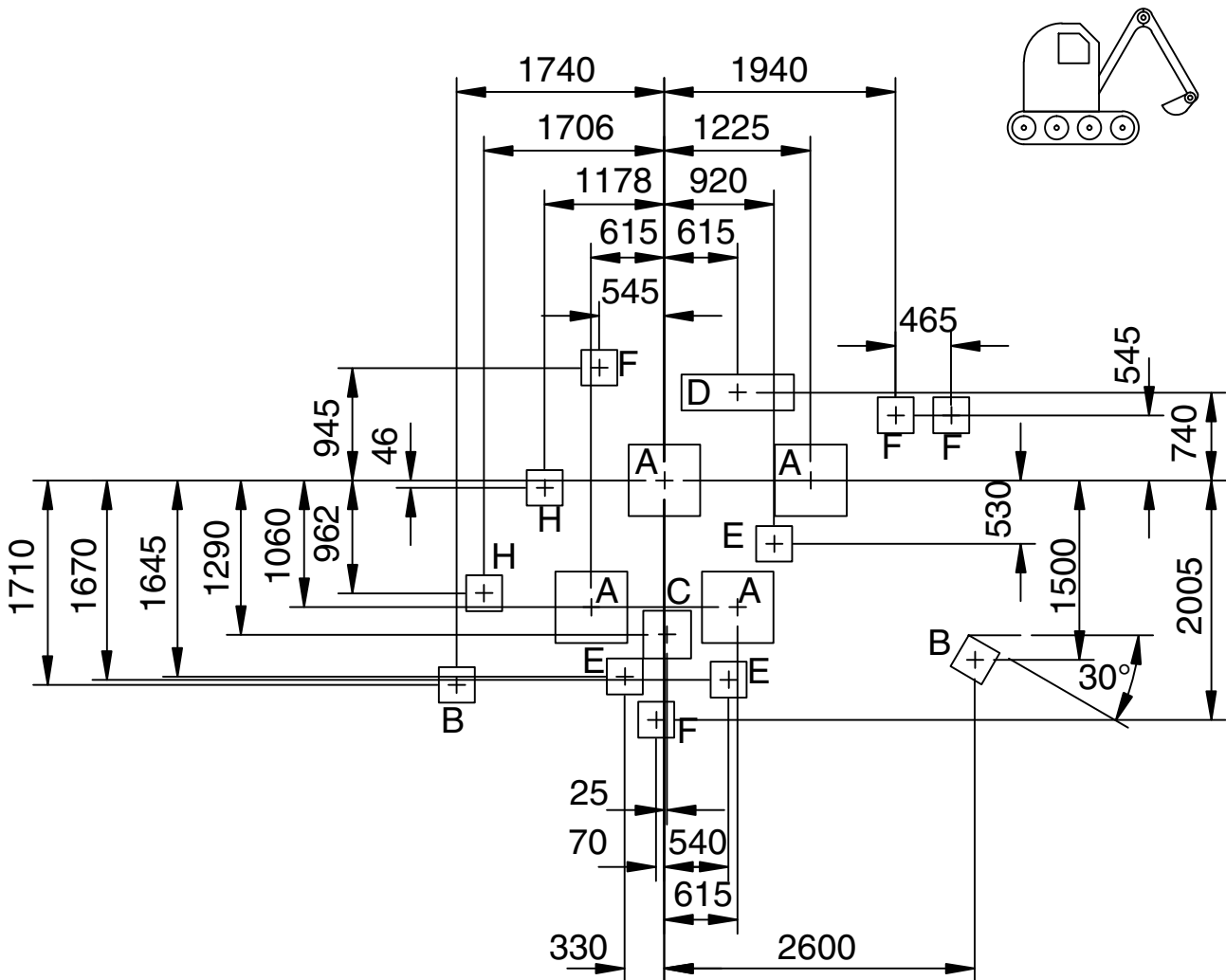


# X-002/P

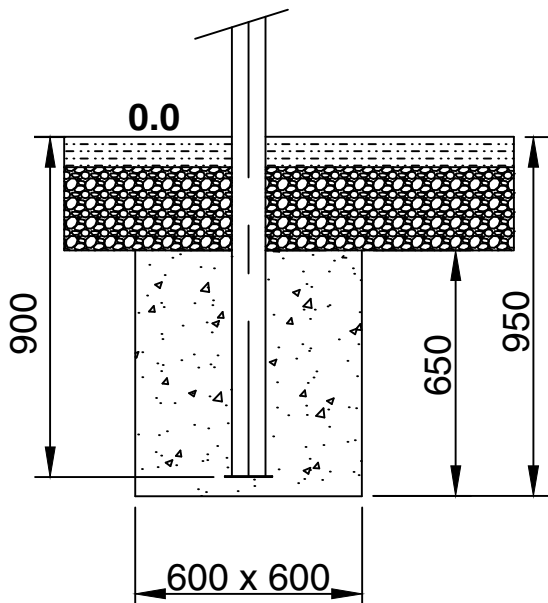


REF		L x W x D
'A'	m	0.60 x 0.60 x 0.95
'B'	m	0.30 x 0.30 x 0.80
'C'	m	0.40 x 0.40 x 0.70
'D'	m	0.94 x 0.30 x 0.70
'E'	m	0.30 x 0.30 x 0.70
'F'	m	0.30 x 0.30 x 0.65
'G'	m	0,30 x 0,30 x 0,43
'H'	m	0,30 x 0,30 x 0,63

**TYPE 1/2**  **101/144**

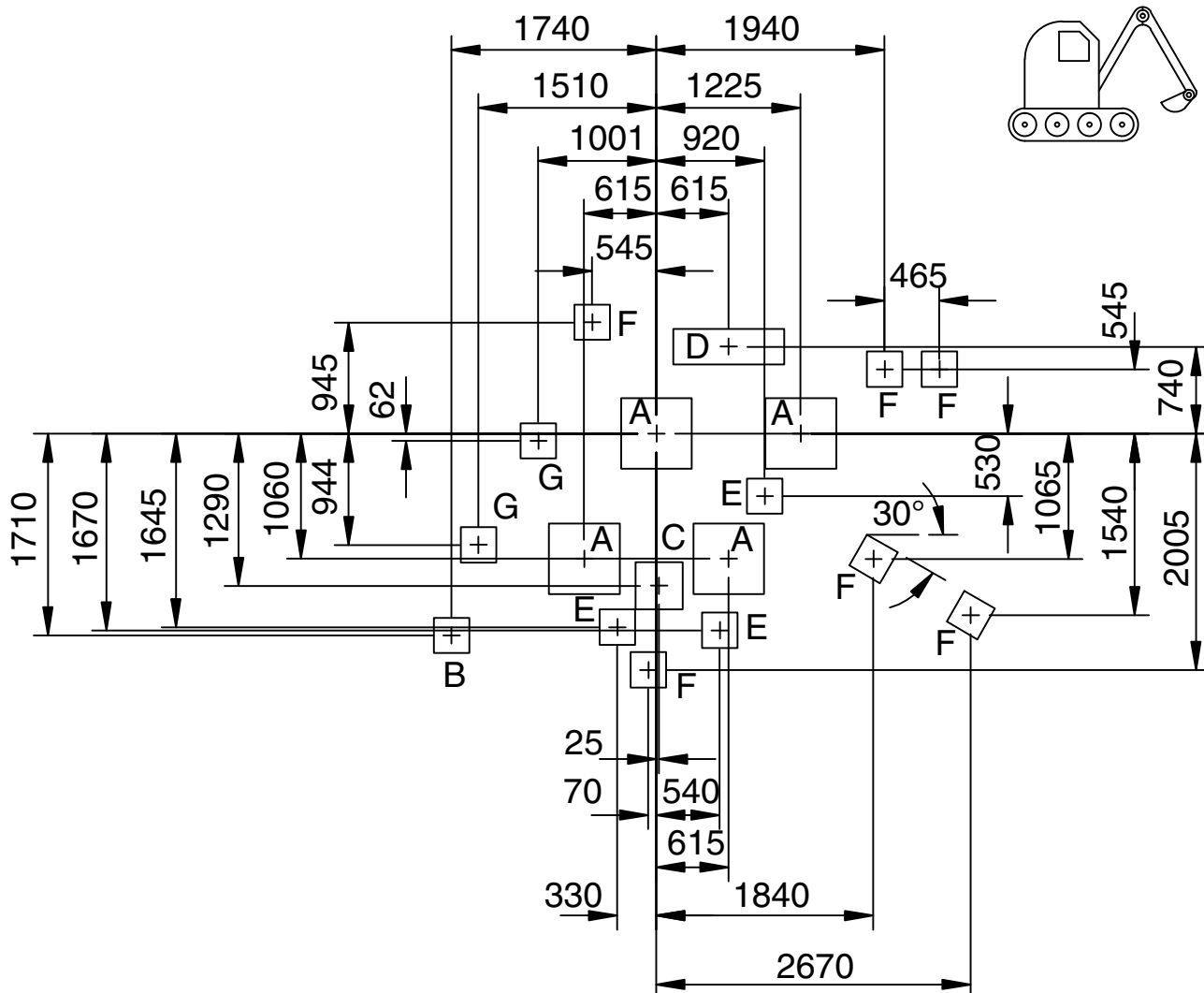


# X-002/S

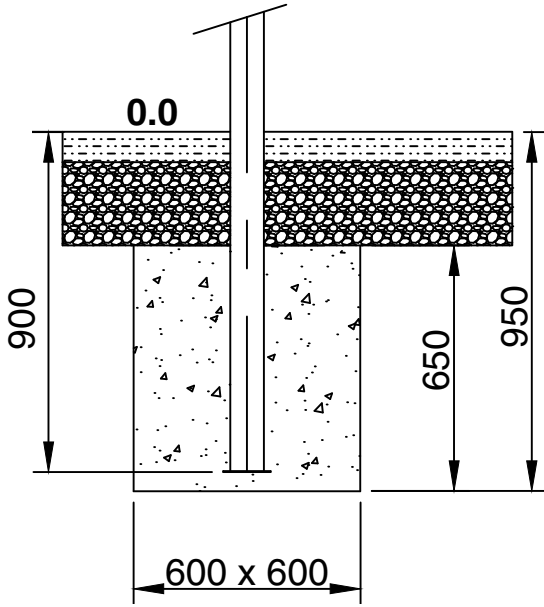


REF		L x W x D
'A'	m	0.60 x 0.60 x 0.95
'B'	m	0.30 x 0.30 x 0.80
'C'	m	0.40 x 0.40 x 0.70
'D'	m	0.94 x 0.30 x 0.70
'E'	m	0.30 x 0.30 x 0.70
'F'	m	0.30 x 0.30 x 0.65
'G'	m	0,30 x 0.30 x 0.43
'H'	m	0,30 x 0.30 x 0.63

**TYPE 3**  **101/144**

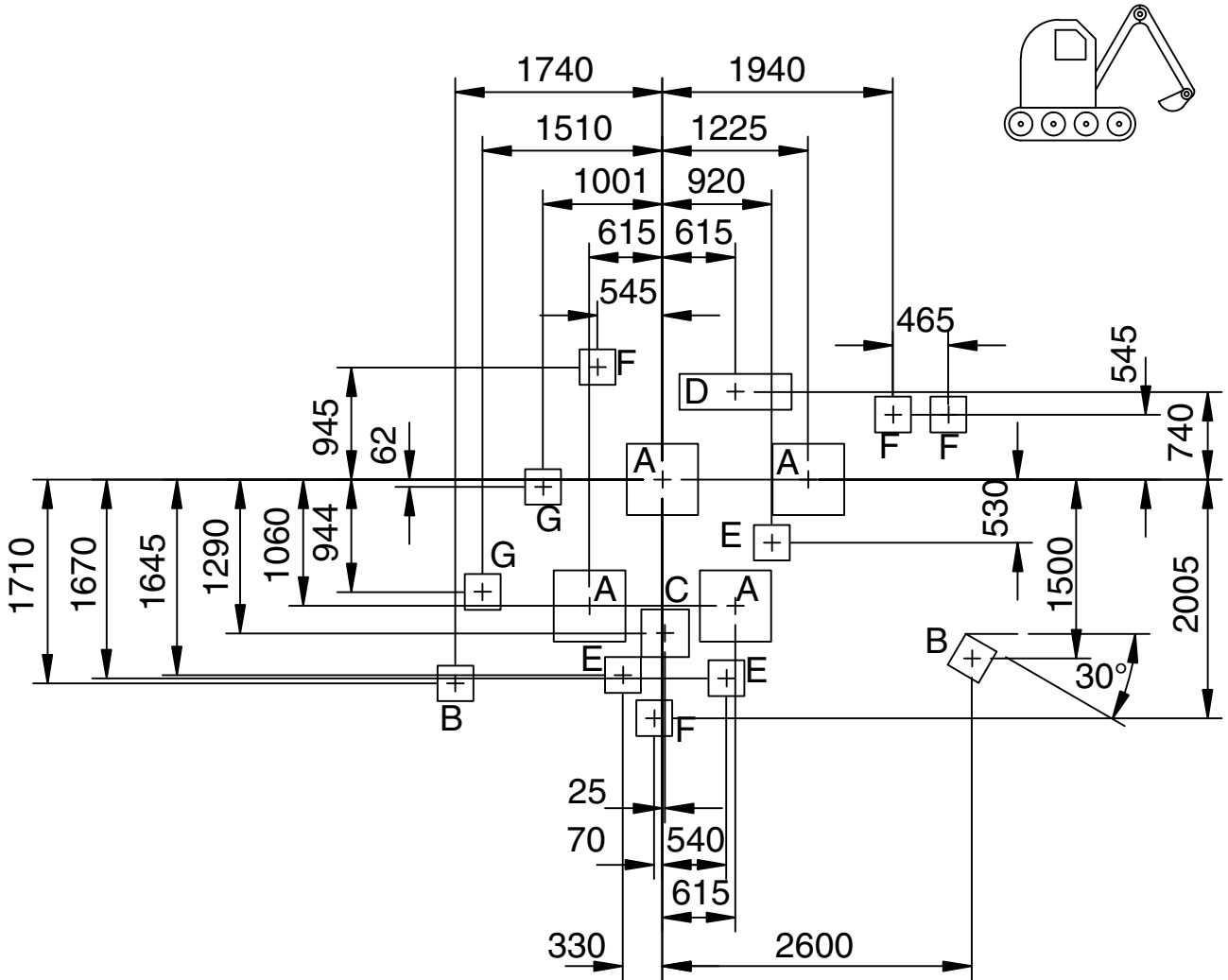


# X-002/P

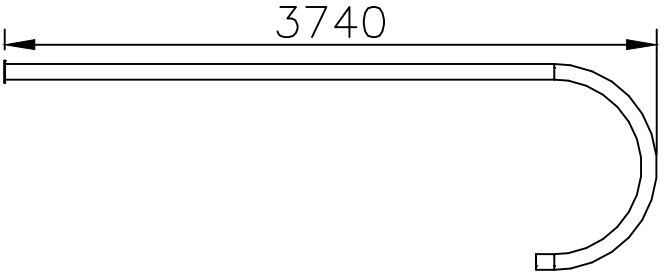
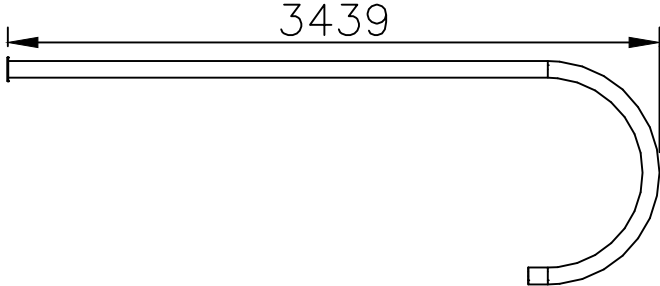
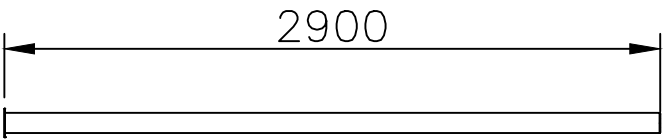
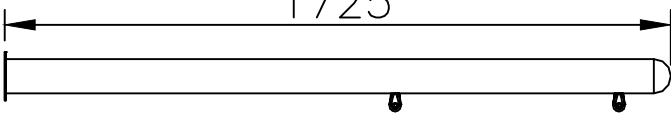
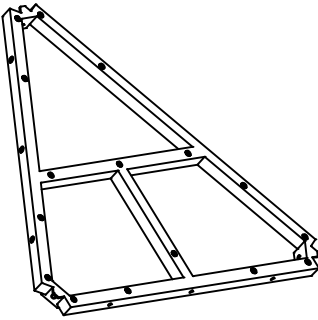
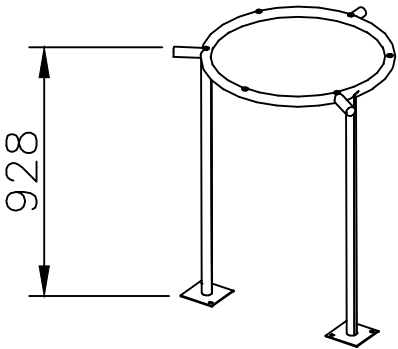


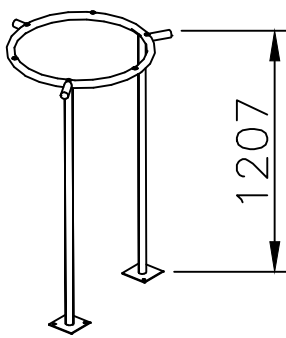
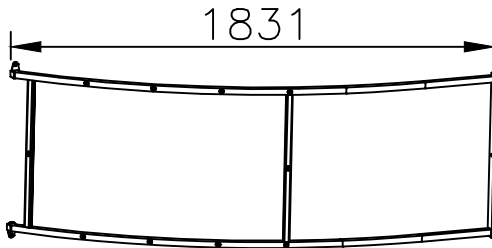
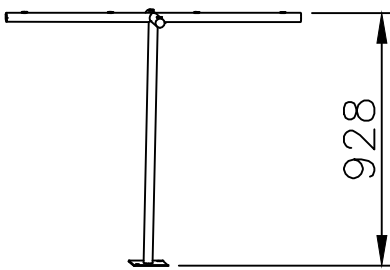
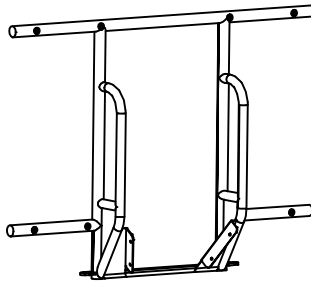
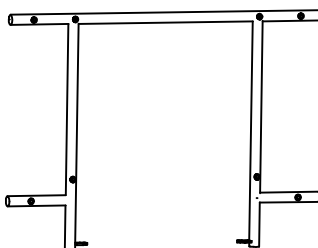
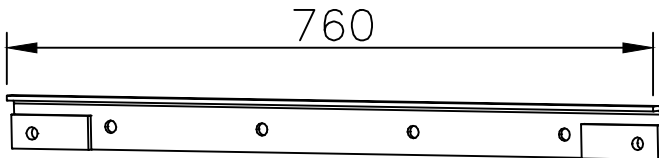
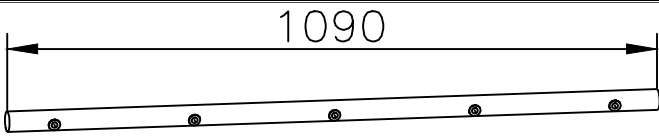
REF		L x W x D
'A'	m	0.60 x 0.60 x 0.95
'B'	m	0.30 x 0.30 x 0.80
'C'	m	0.40 x 0.40 x 0.70
'D'	m	0.94 x 0.30 x 0.70
'E'	m	0.30 x 0.30 x 0.70
'F'	m	0.30 x 0.30 x 0.65
'G'	m	0,30 x 0.30 x 0.43
'H'	m	0,30 x 0.30 x 0.63

**TYPE 3**  **101/144**

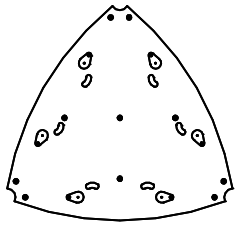
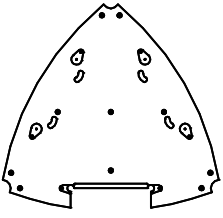
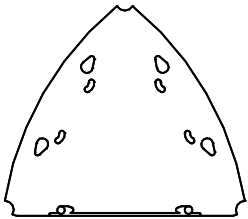
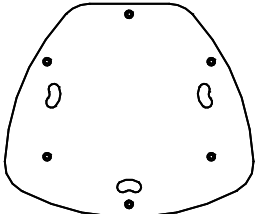
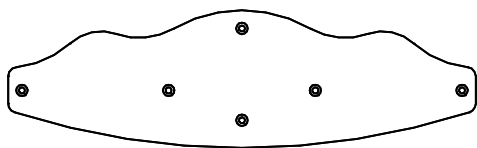
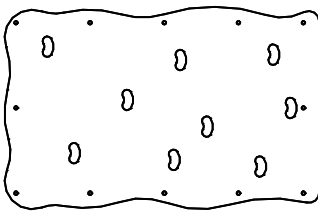
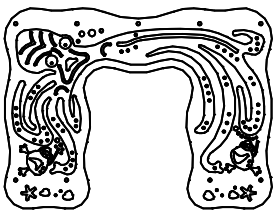
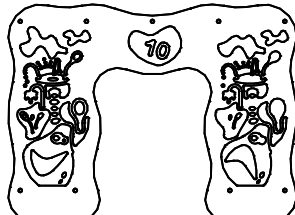


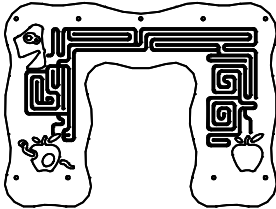
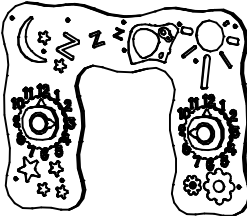
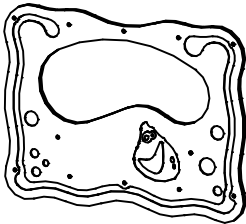
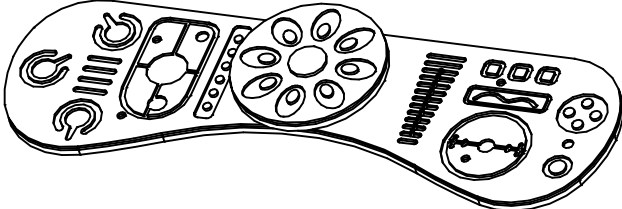
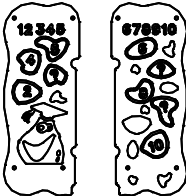
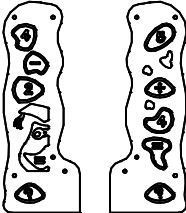
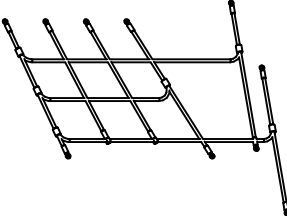
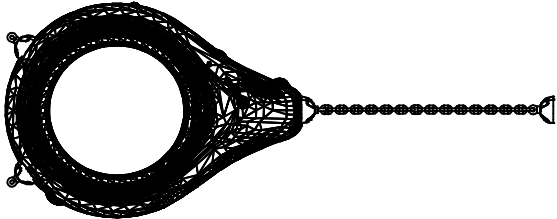


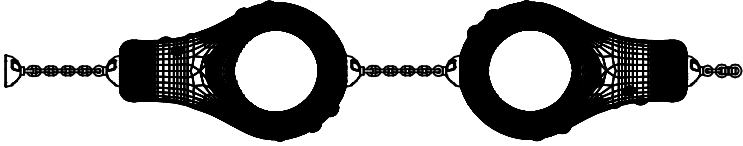
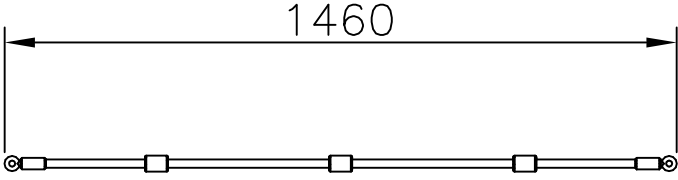


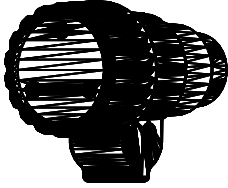
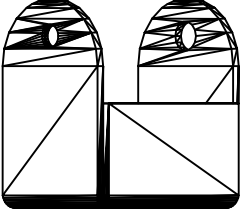
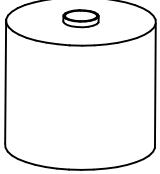
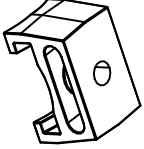
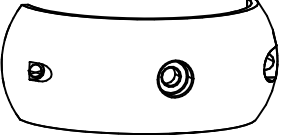
ITEM	REF.		X-002/S	X-002/P	kg
1	55003740		2		50.00
2	55003440		1		46.00
3	55012900		1		30.00
4	55011725		1		15.00
5	55041225		2		15.00
6	55040911		1		10.00

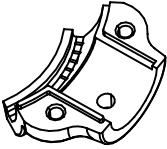

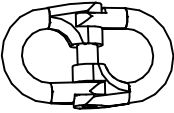

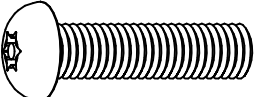
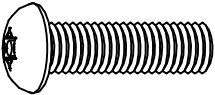
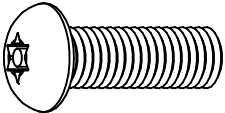
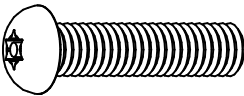
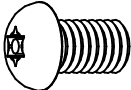
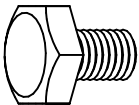
ITEM	REF.		X-002/S	X-002/P	kg
7	55041190		1		12.00
8	55021809		1		11.00
9	55020911		1		6.00
10	55021200		1		10.00
11	55021300			1	7.50
12	55021301			1	3.00
13	55021082		5		2.50

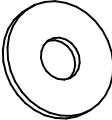
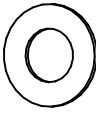
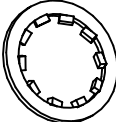
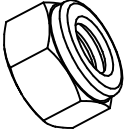
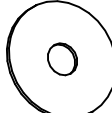
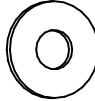
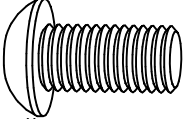
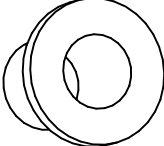
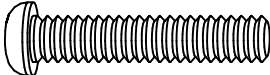
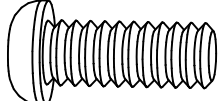
ITEM	REF.		X-002/S	X-002/P	kg
14	55020332		4 PAIRS		2.00
15	55021087		1		5.00
16	55020880		1		3.50
17	55059999		2		0.50
18	45031200		1		30.00
19	70032701		1		4.50
20	45039001		1		5.80
21	55081200			1	91.00

ITEM	REF.		X-002/S	X-002/P	kg
22	55090010			1	16.00
23	55090040		1		16.00
24	55090050			1	16.00
25	55090020			2	8.00
26	55090030			1	4.00
27	55090090			1	11.00
28	55090201			1	9.00
29	55090205			1	9.00

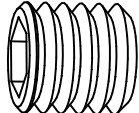

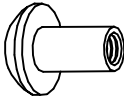
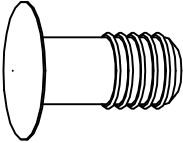
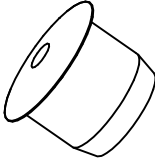
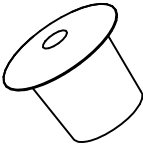
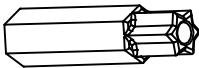
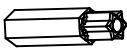
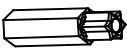
ITEM	REF.		X-002/S	X-002/P	kg
30	55090209		1		9.00
31	55090300		1		14.00
32	55090401		1		10.00
33	55090402		1		6.00
34	55090501		1 PAIR		8.00
35	55090503			1 PAIR	6.00
36	55050010		1		7.00
37	55062010		1		12.00

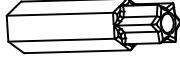
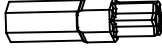
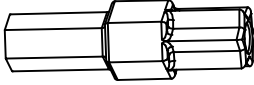
ITEM	REF.		X-002/S	X-002/P	kg
38	55062020		1		10.00
39	38008060		1		1.00
40	55030201		1		0.50
41	38008027		6		1.50
42	55080010		1		0.50
43	55080011		1		0.50
44	55080012		1		0.25
45	55030899		6		0.15
46	55030799		50		0.20

ITEM	REF.		X-002/S	X-002/P	kg
47	55030399		30		0.10
48	55030499		30		0.10
49	15715000		15		0.10
50	10121065	 M10 X 65	1		0.050
51	10121040	 M10 X 40	97		0.037
52	10121035	 M10 X 35	30		0.032
53	10121030	 M10 X 30	5	7	0.028
54	10120625	 M6 X 25	14		0.011
55	10120610	 M6 X 10	4		0.005
56	10251016	 M10 X 16	4		0.020

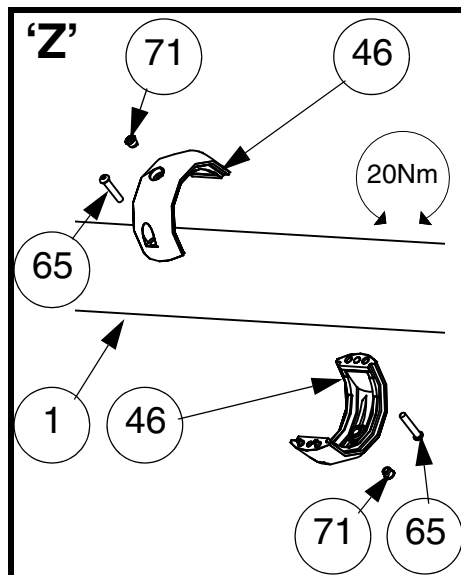
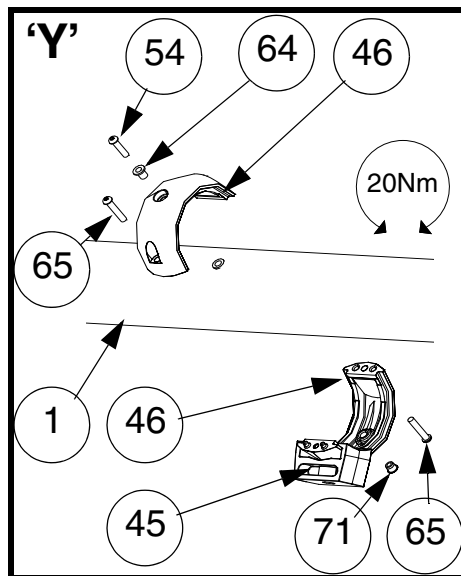
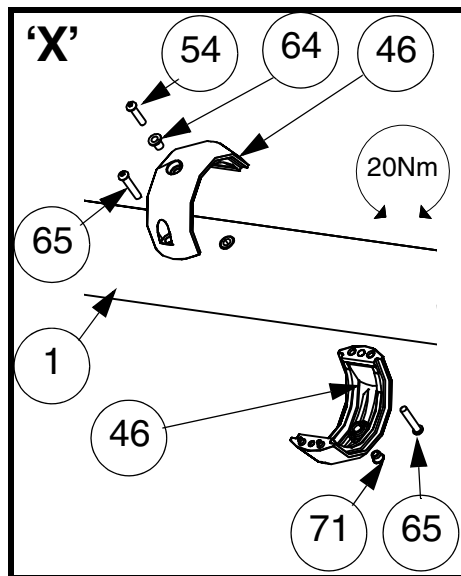
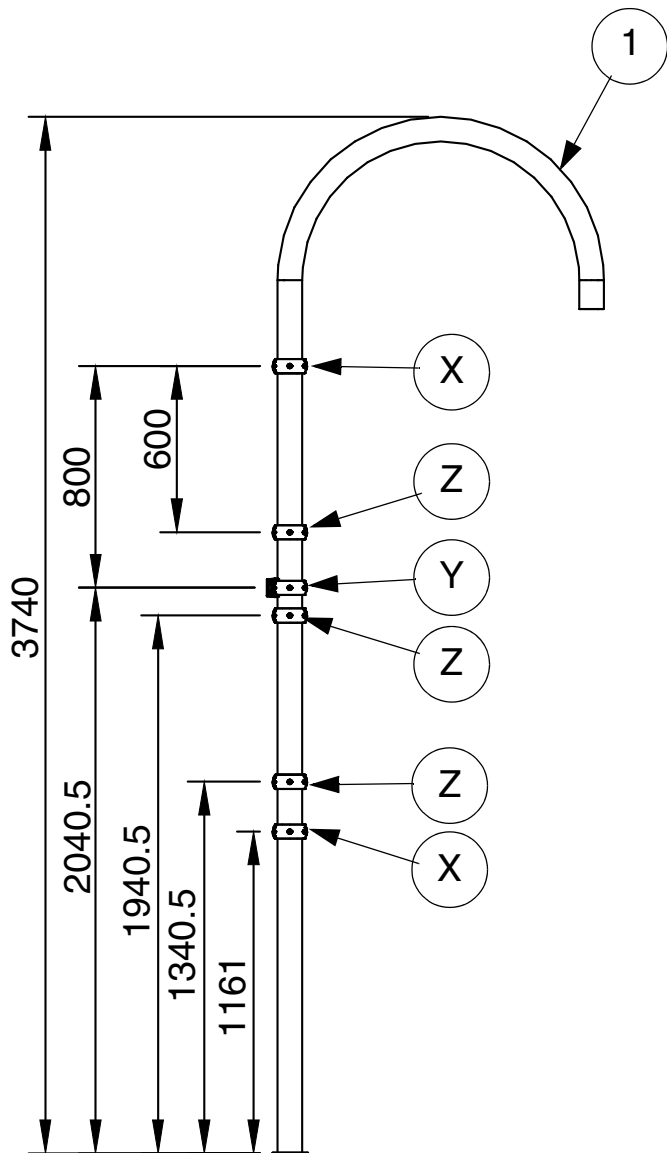
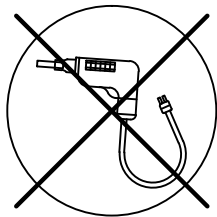
ITEM	REF.		X-002/S	X-002/P	kg
57	10309999	 M10 11X30X2.5	4		0.011
58	10291000	 M10 11X21X1	124	126	0.002
59	10301000	 M10 12X18X1	9		0.002
60	10260600	 M6	4		0.002
61	10304010	 M10 11X40X1.5		2	0.003
62	10303212	 T5 13X32X2.6	6		0.011
63	14101225	 1/2" UNC X 1"	6		0.032
64	14104942		14		0.001
65	14104749	 1/4"UNC X 1-1/4"	50		0.007
66	14104750	 1/4"UNC X5/8"	60		0.005



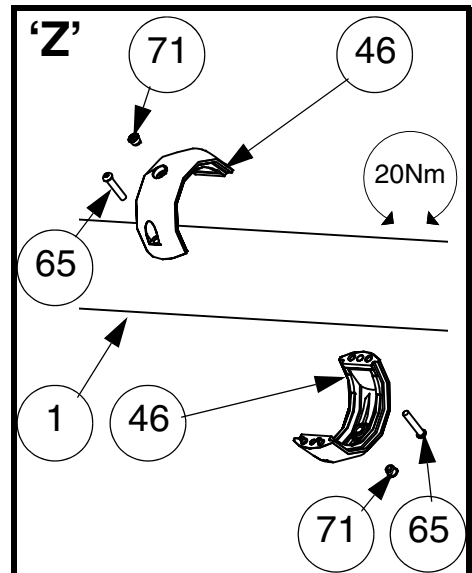
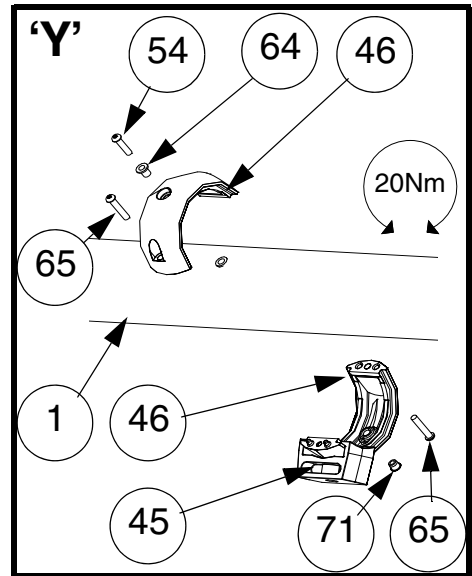
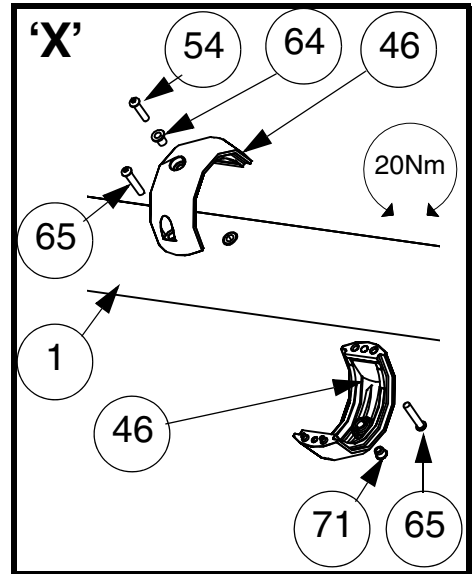
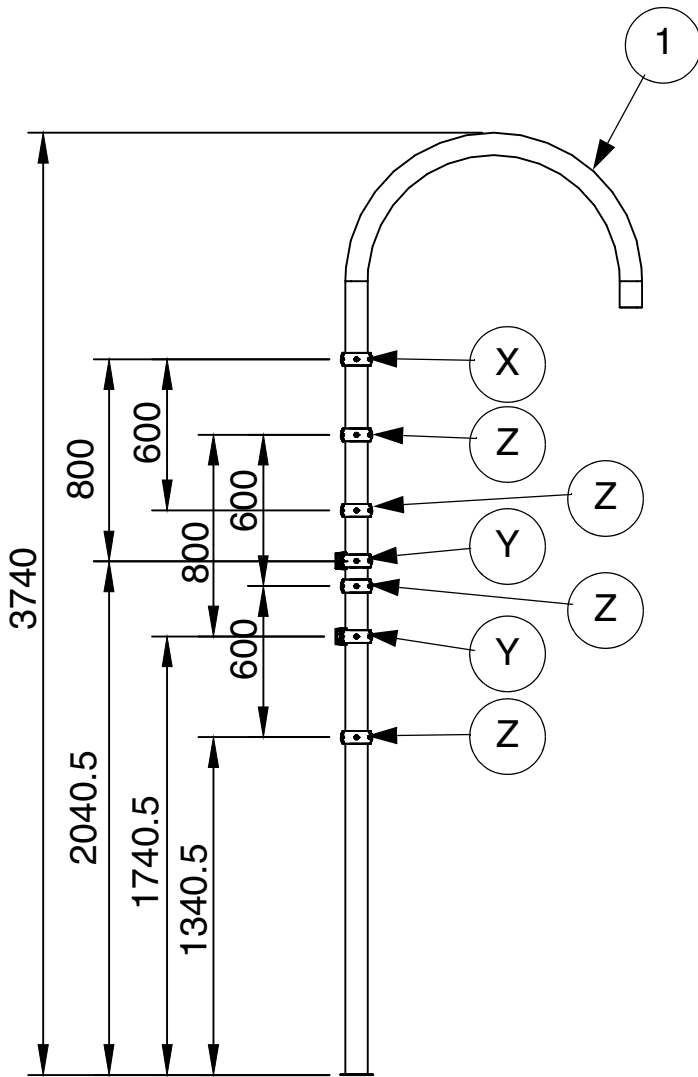
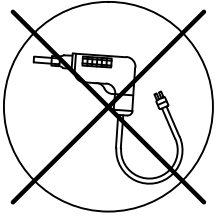
ITEM	REF.		X-002/S	X-002/P	kg
67	14104285	 3/8"UNC X3/8"	30		0.003
68	14104963	 5/16"UNC X 3"	1		0.026
69	14110018	 5/16" UNC	1		0.018
70	19024501		16	13	0.001
71	19055030		36		0.001
72	19055040		5		0.001
73	10121000	 T45 M10	4		-
74	10120600	 T30 M6	3		-
75	10120500	 T27 1/4"UNC	2		-

ITEM	REF.		X-002/S	X-002/P	kg
76	10120900	 TX40 5/16"UNC	1		-
77	10121001	 TX50 1/2"UNC	2		-
78	10121100	 T55 5/16"UNC	1		-

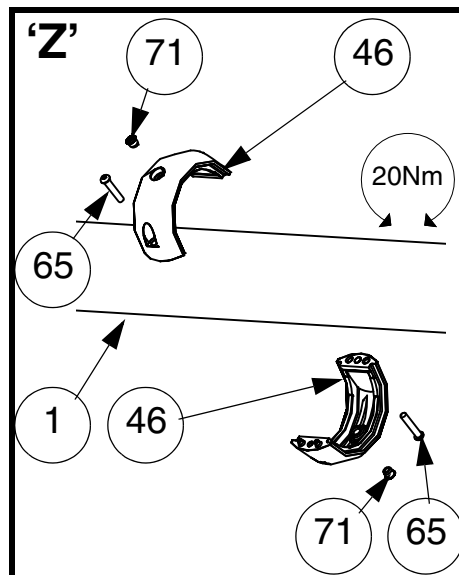
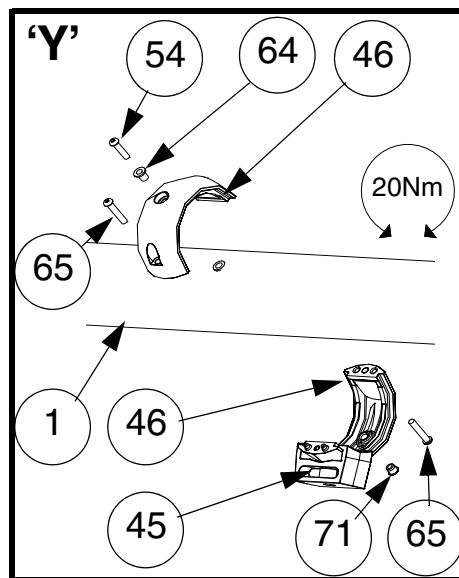
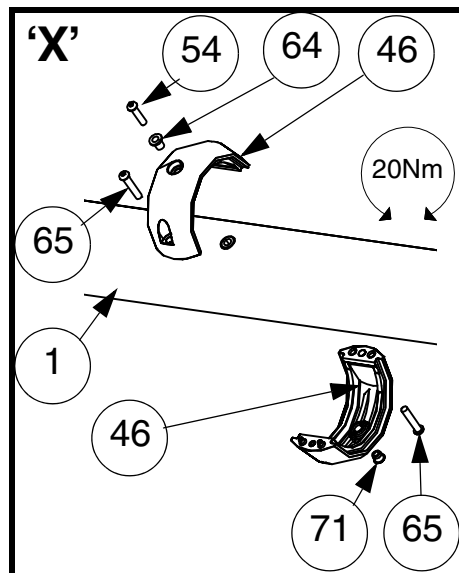
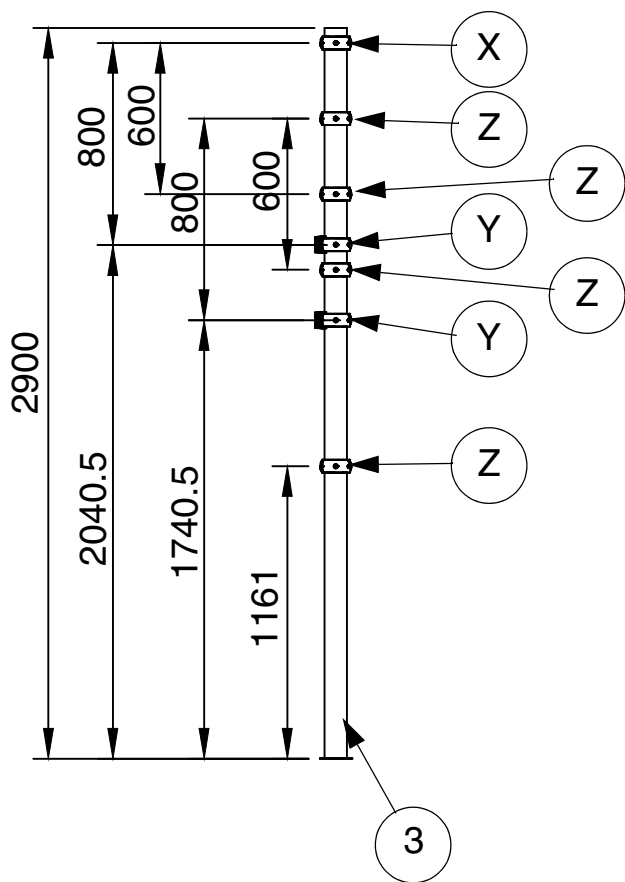
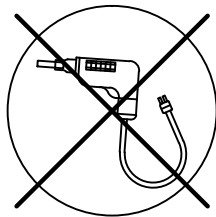
# STEP 1



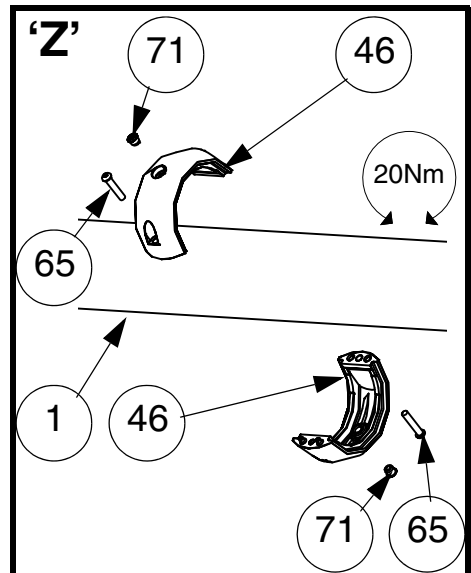
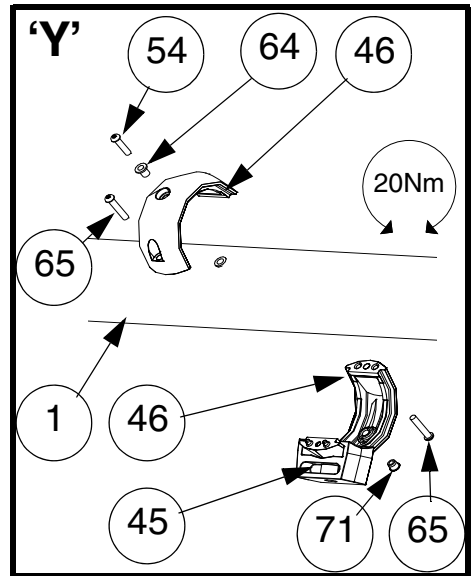
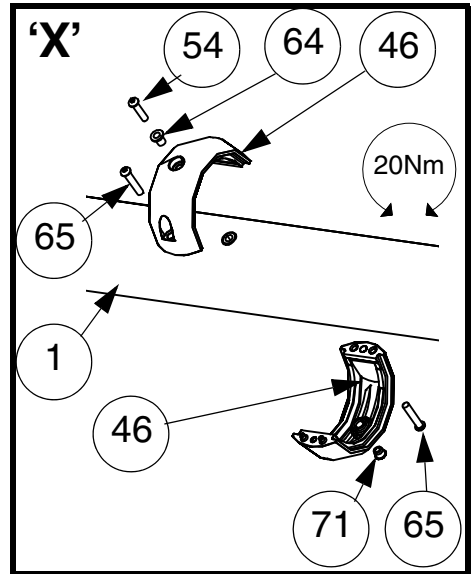
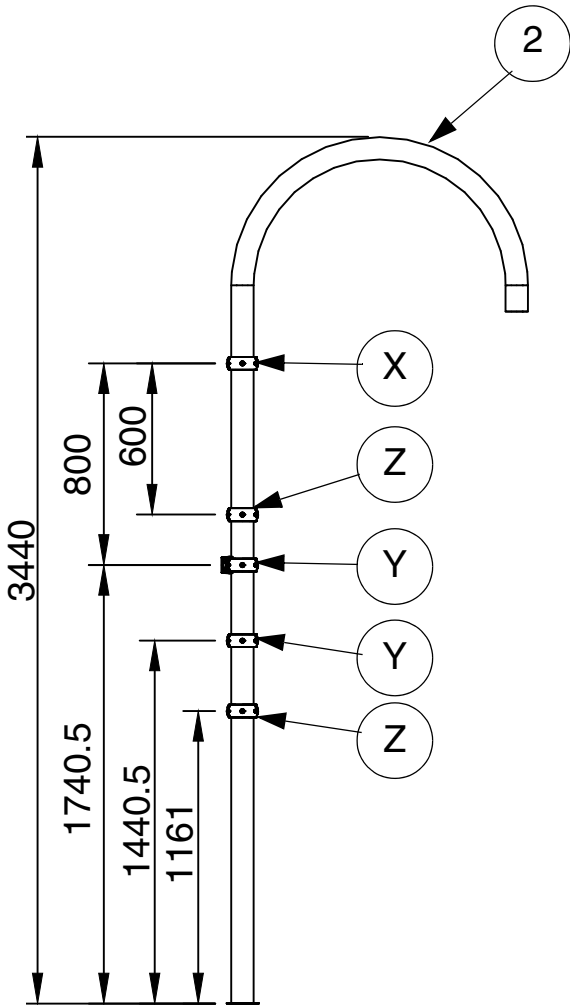
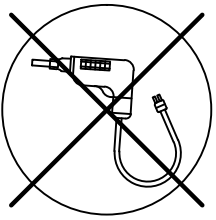
# STEP 2



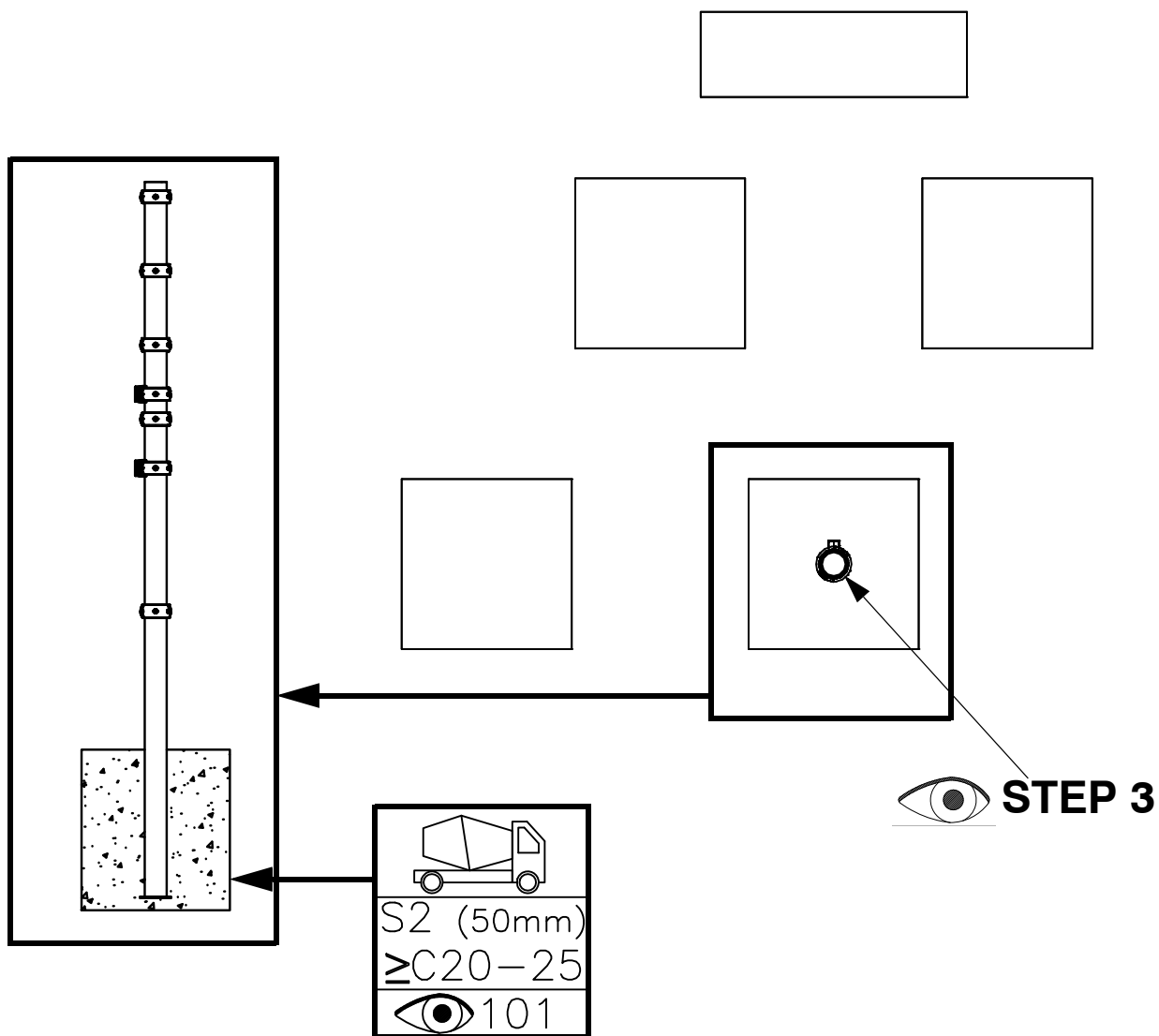
### STEP 3



# STEP 4

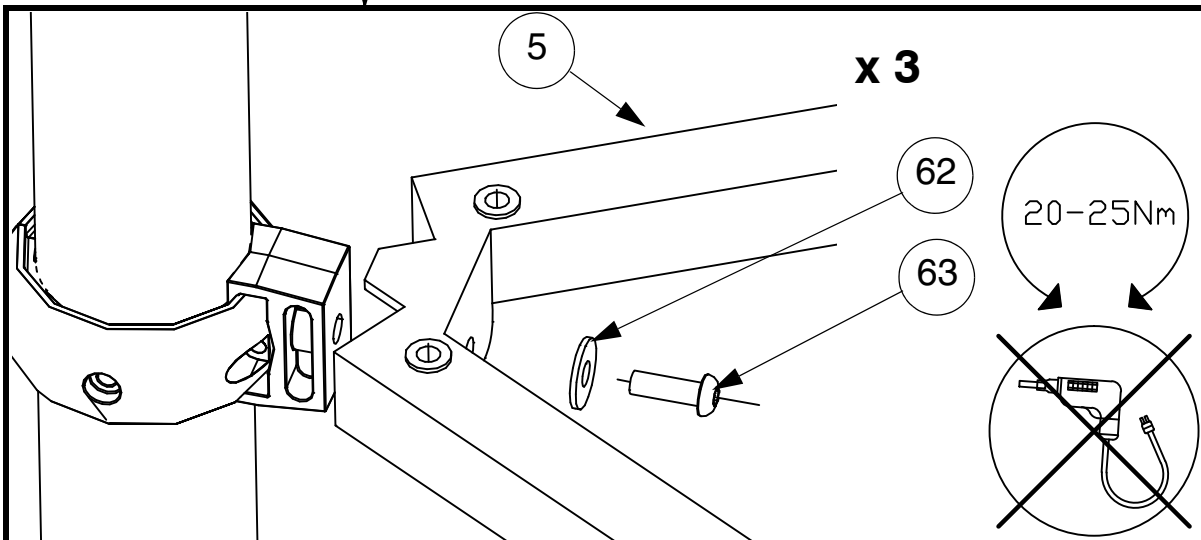
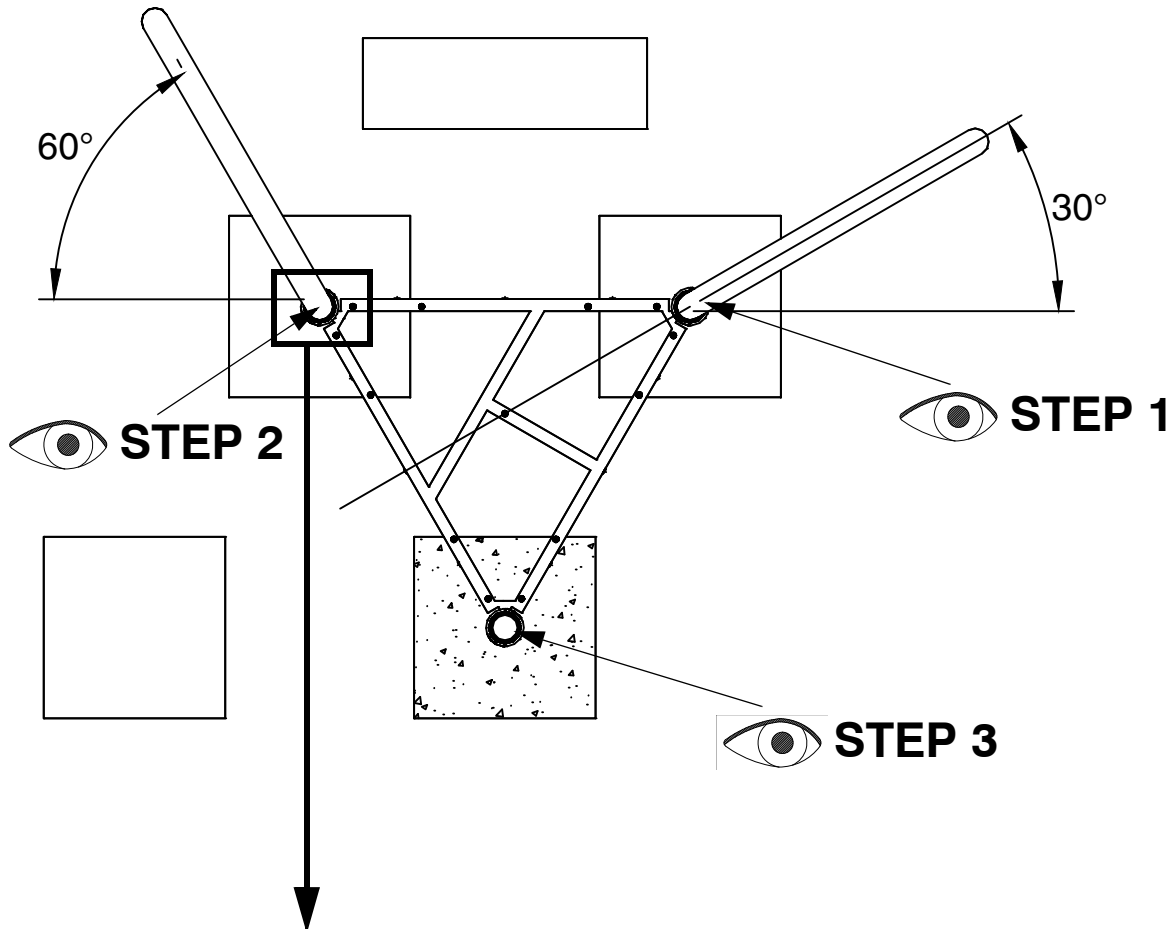
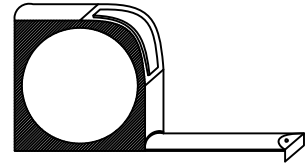


# STEP 5



 **STEP 3**

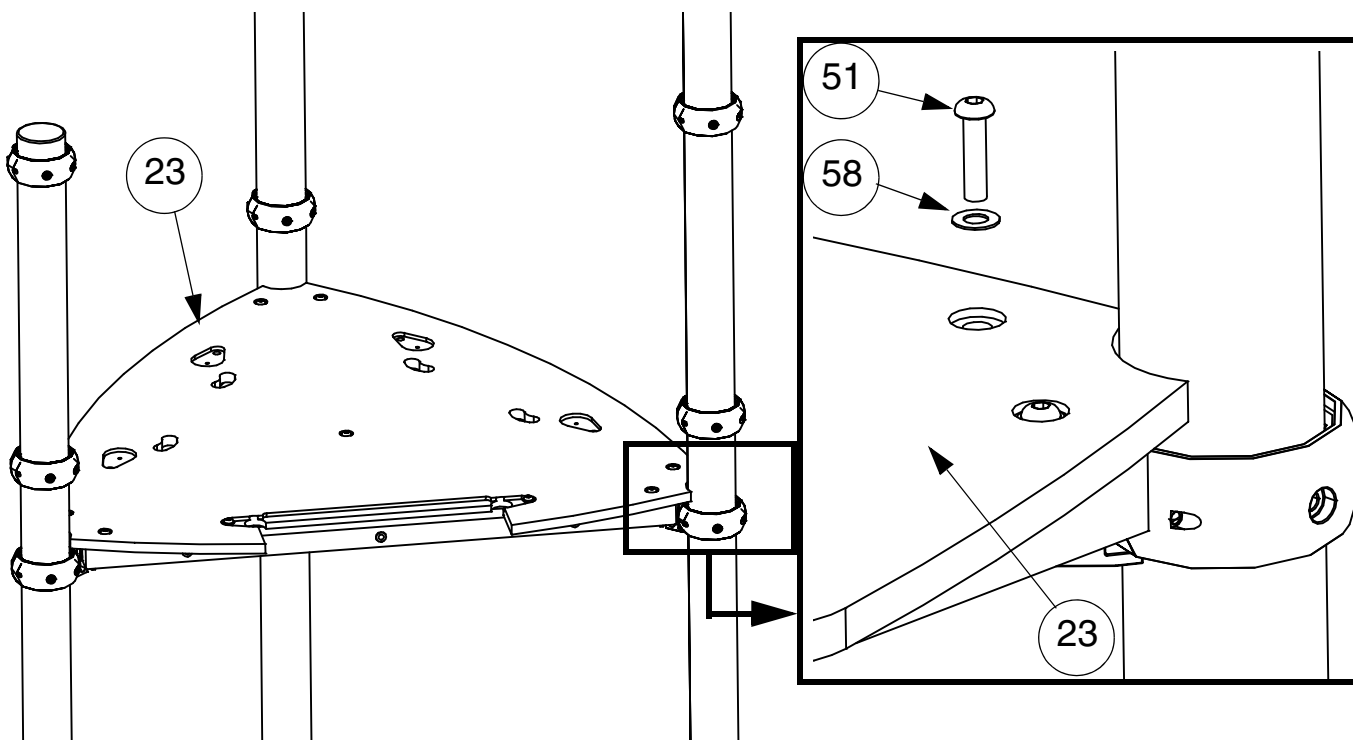
# STEP 6



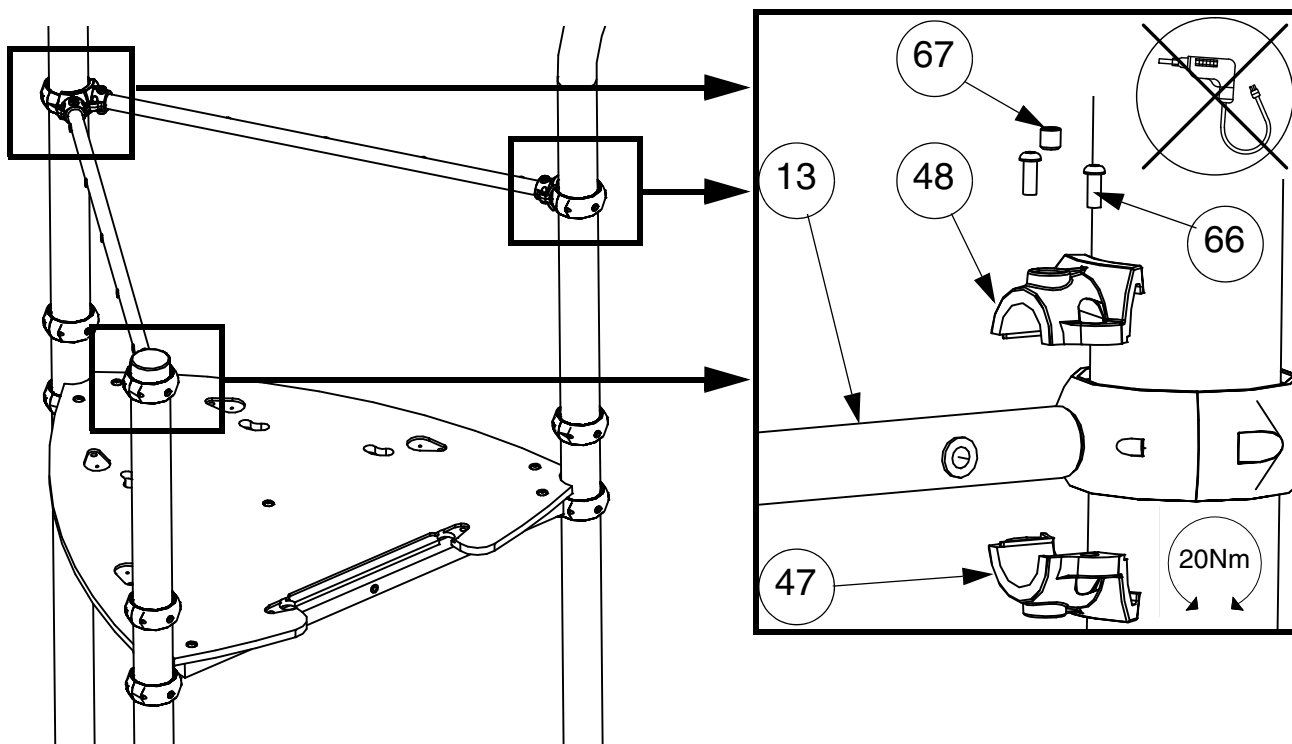


# STEP 7

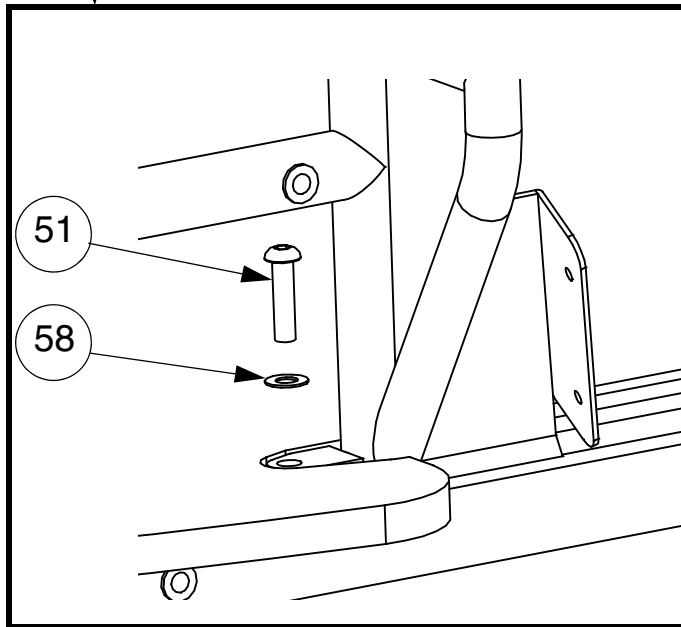
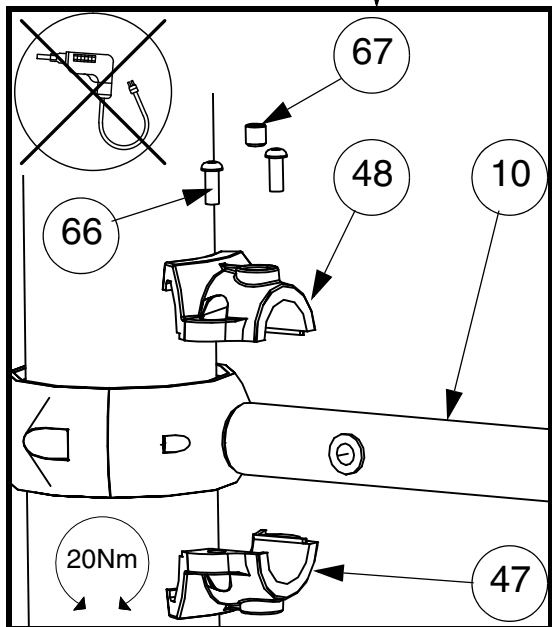
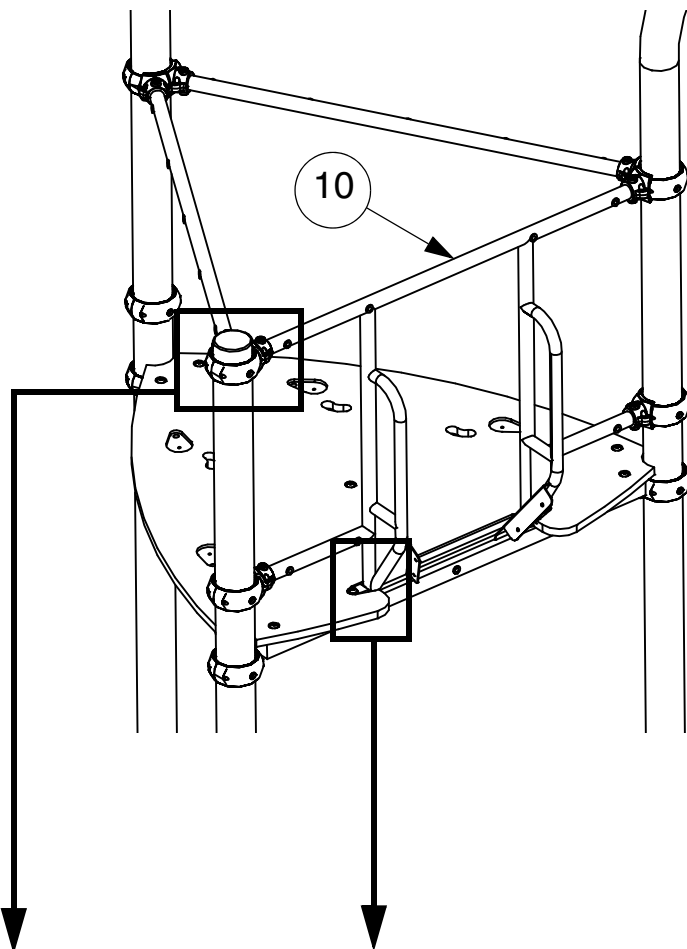
X-002/P   41



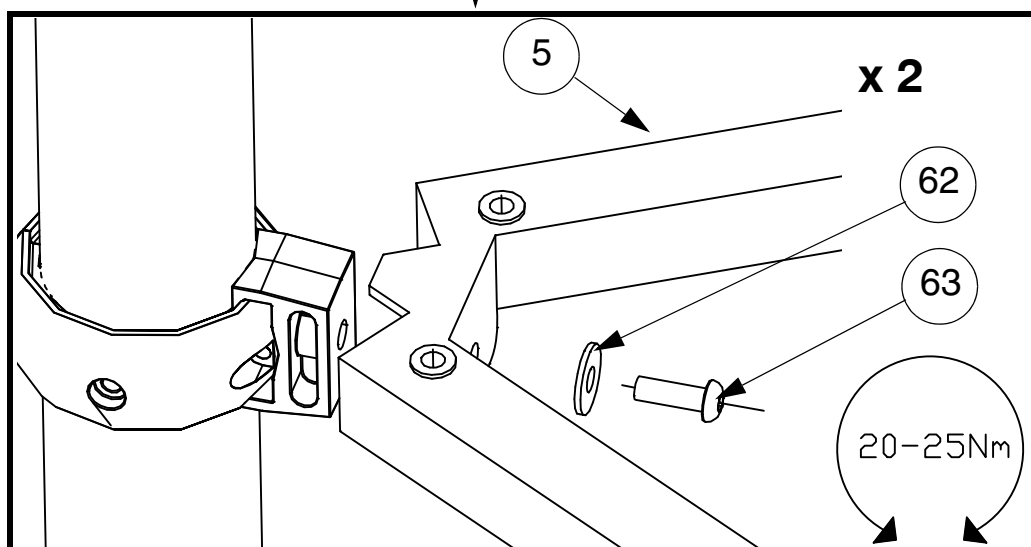
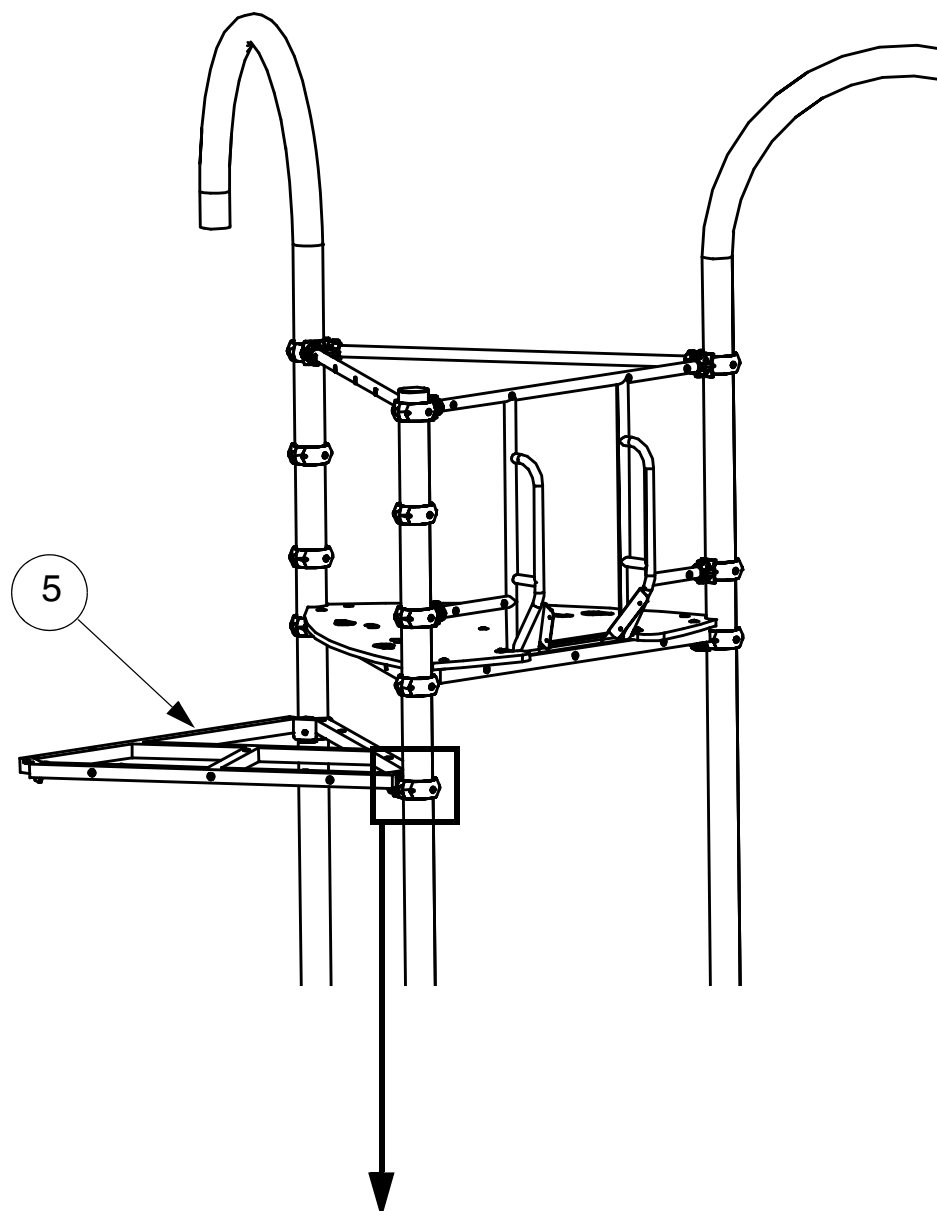
# STEP 8



# STEP 9

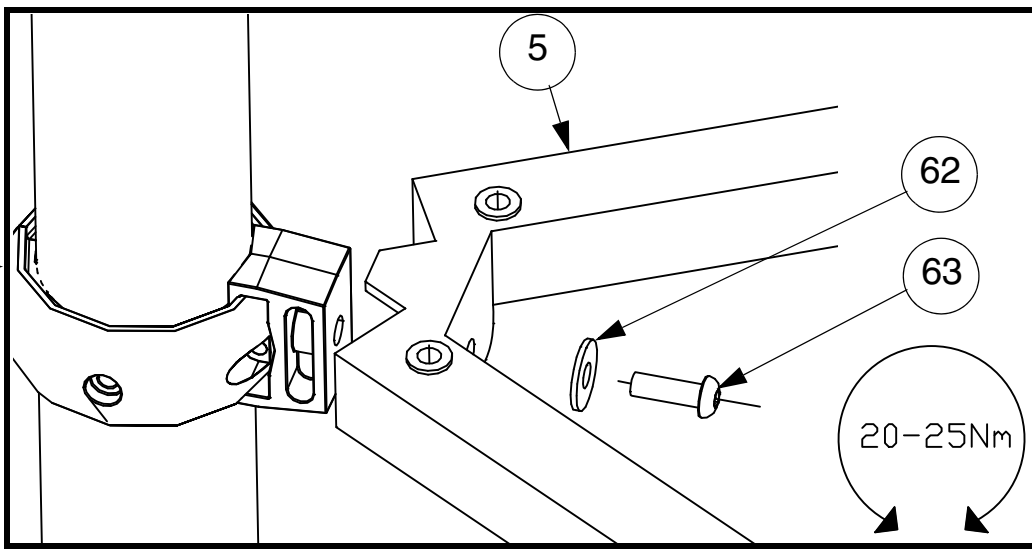
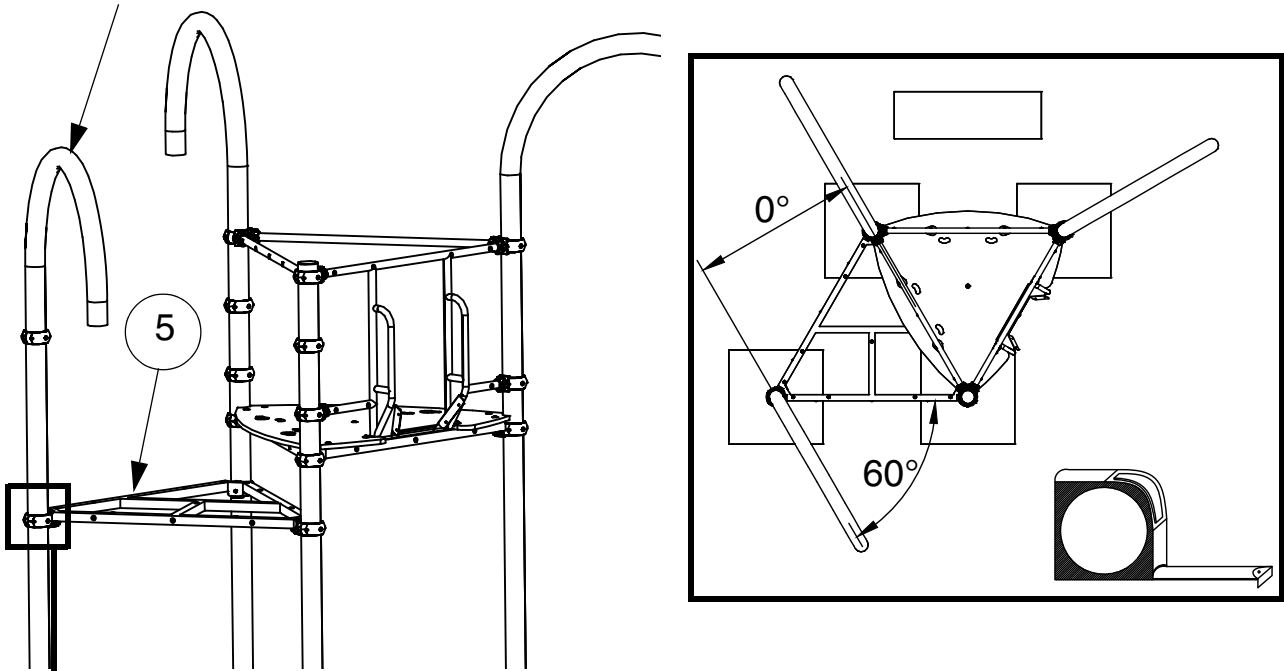


# STEP 10

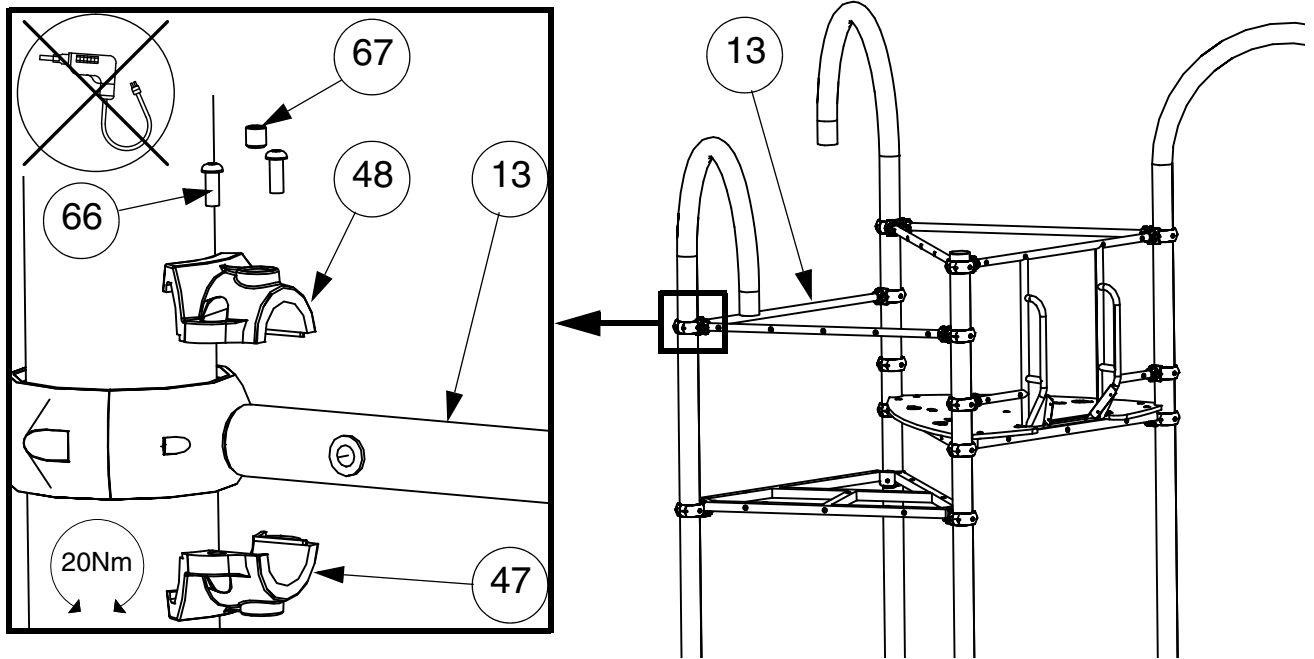


# STEP 11

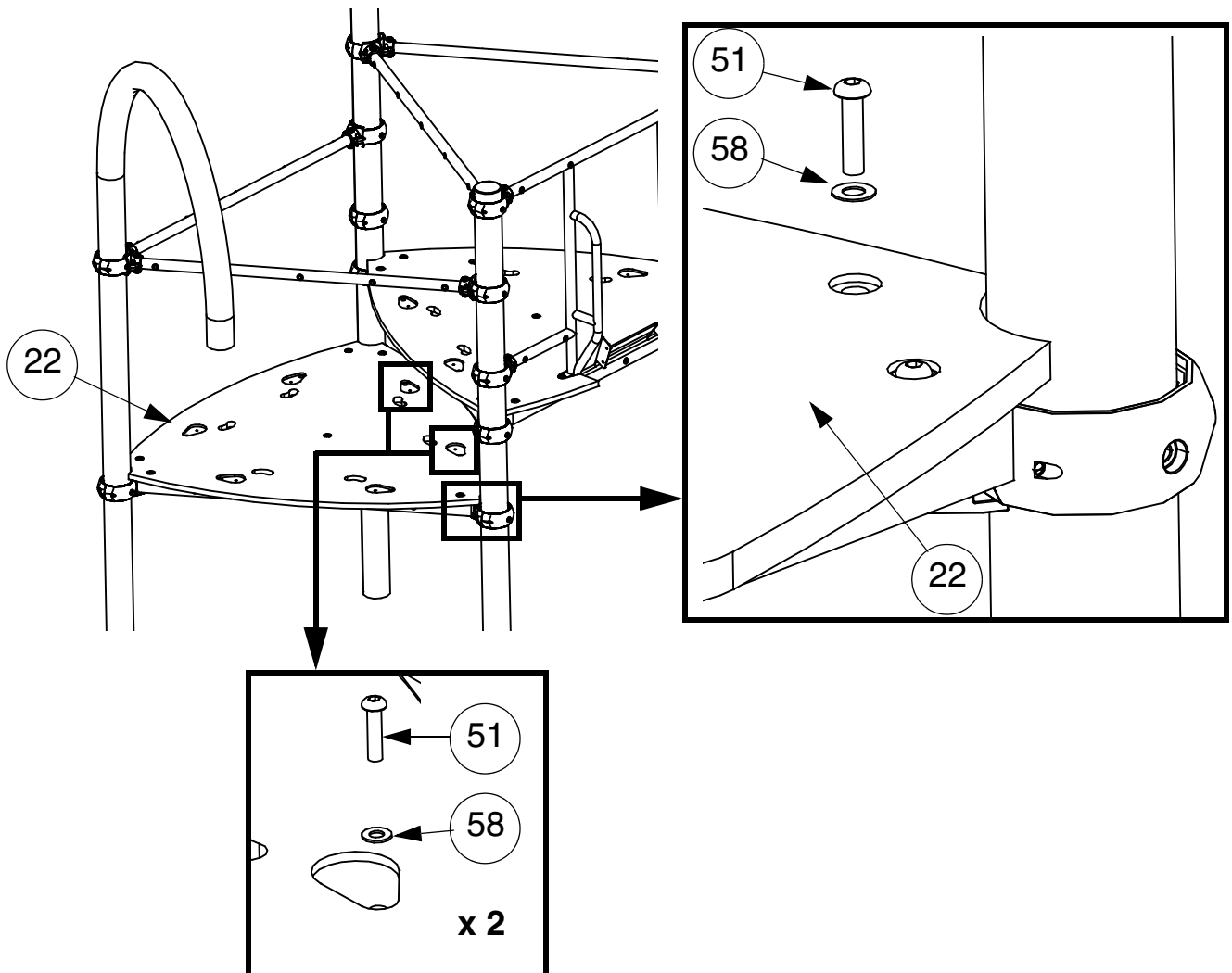
## STEP 3



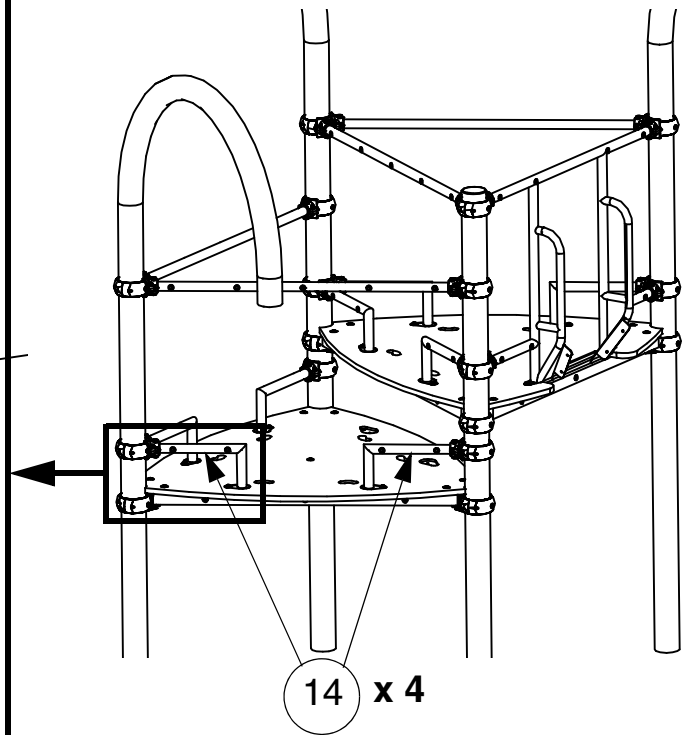
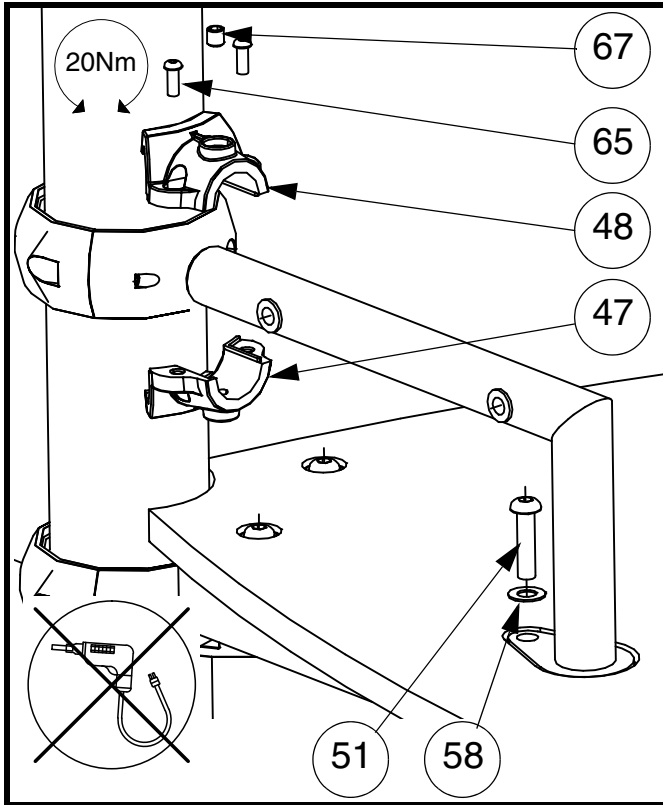
## STEP 12



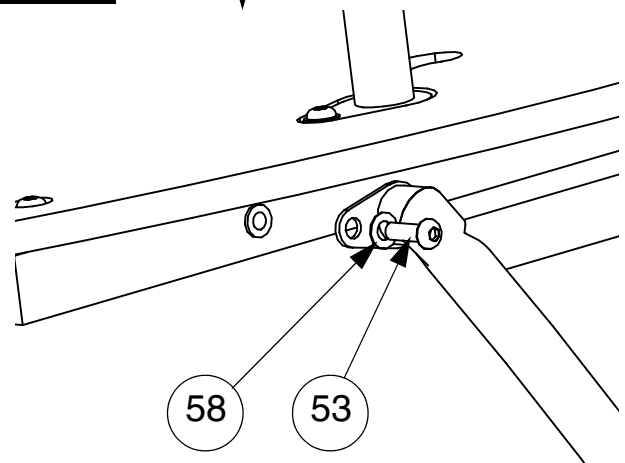
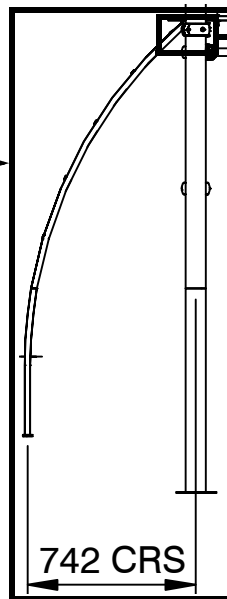
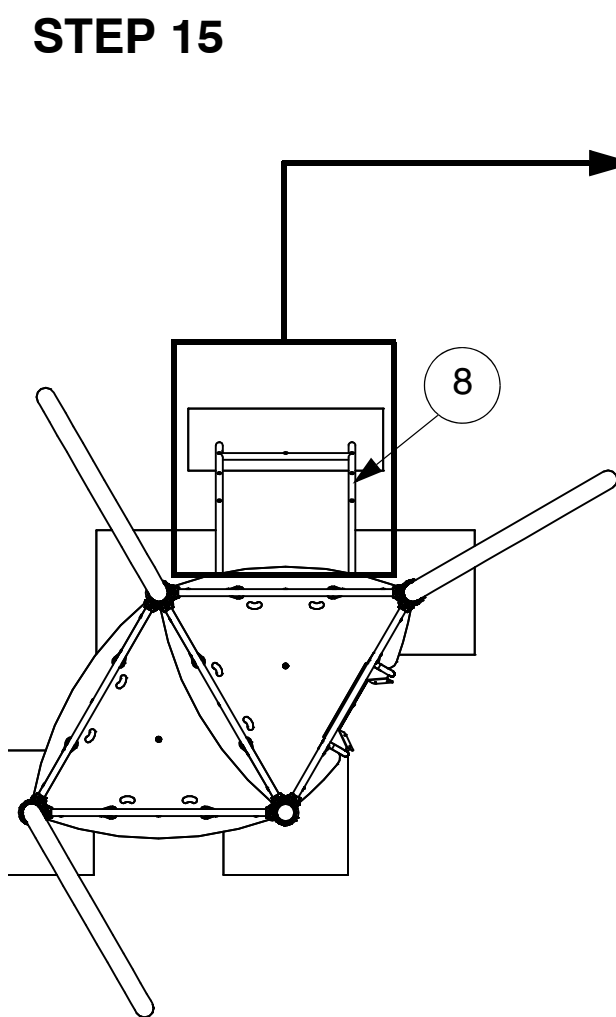
## STEP 13



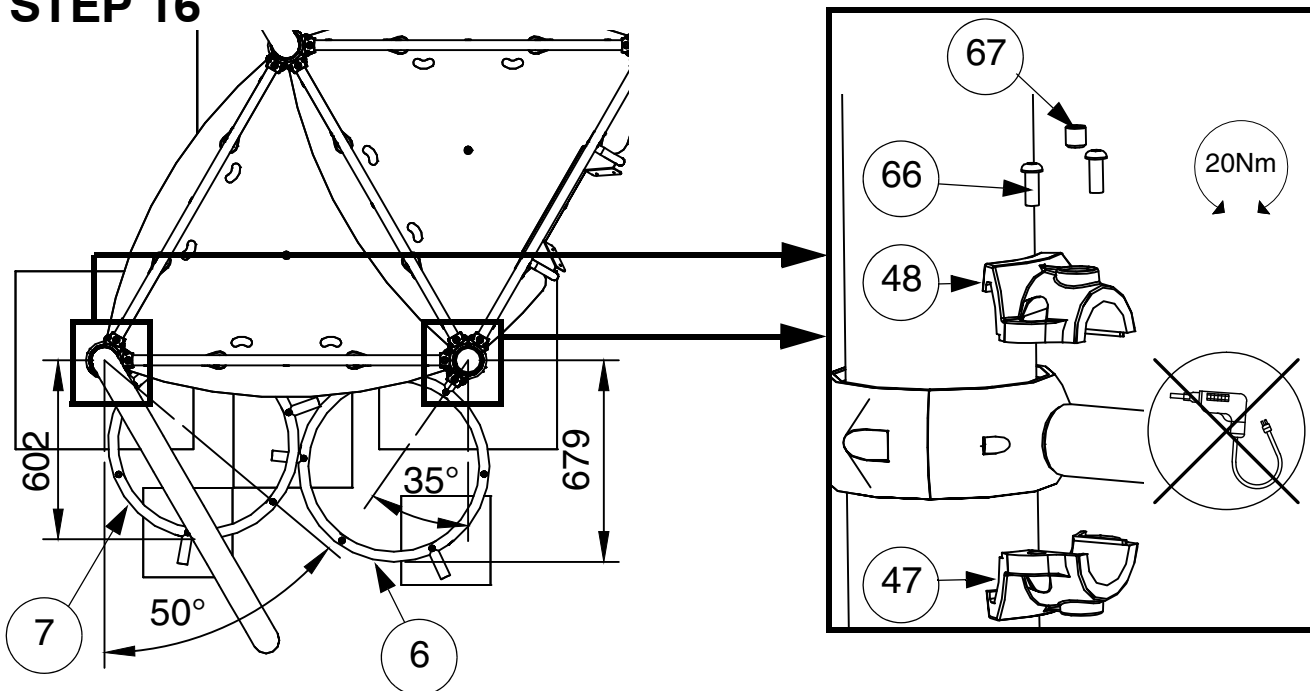
### STEP 14



### STEP 15

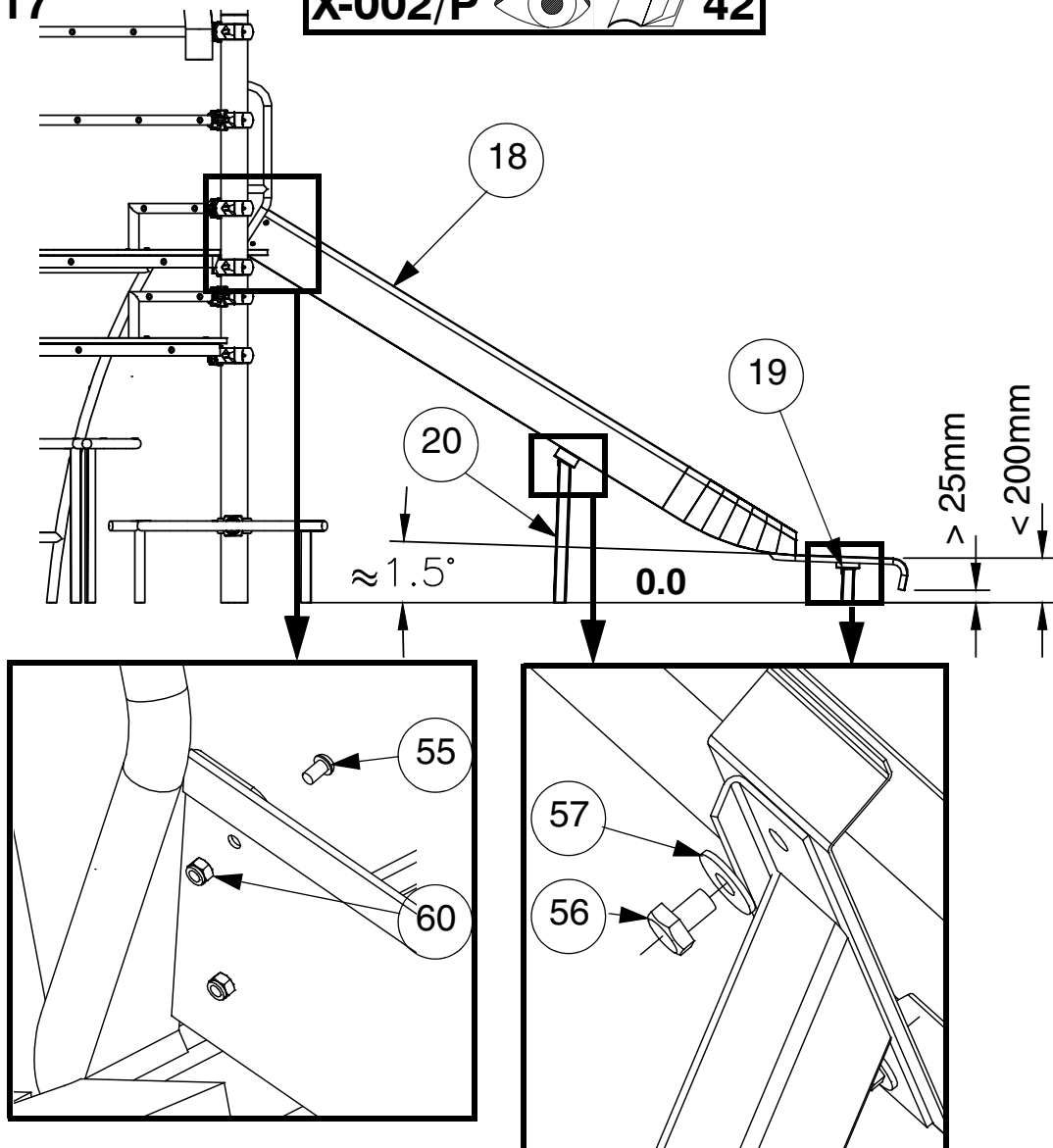


**STEP 16**

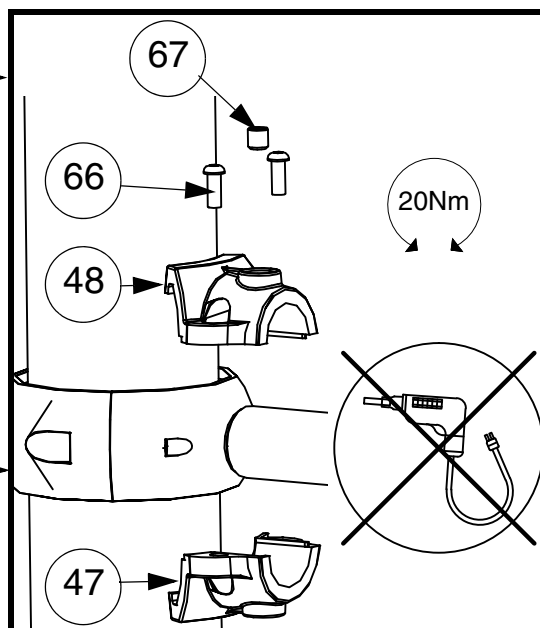
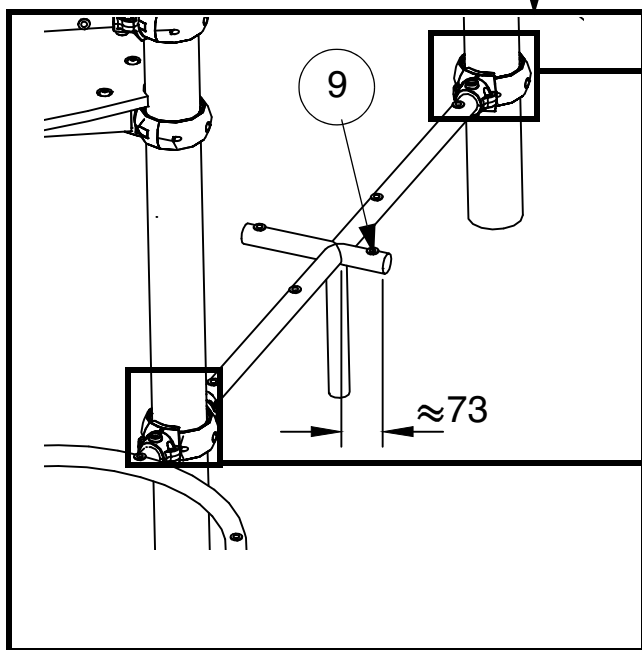
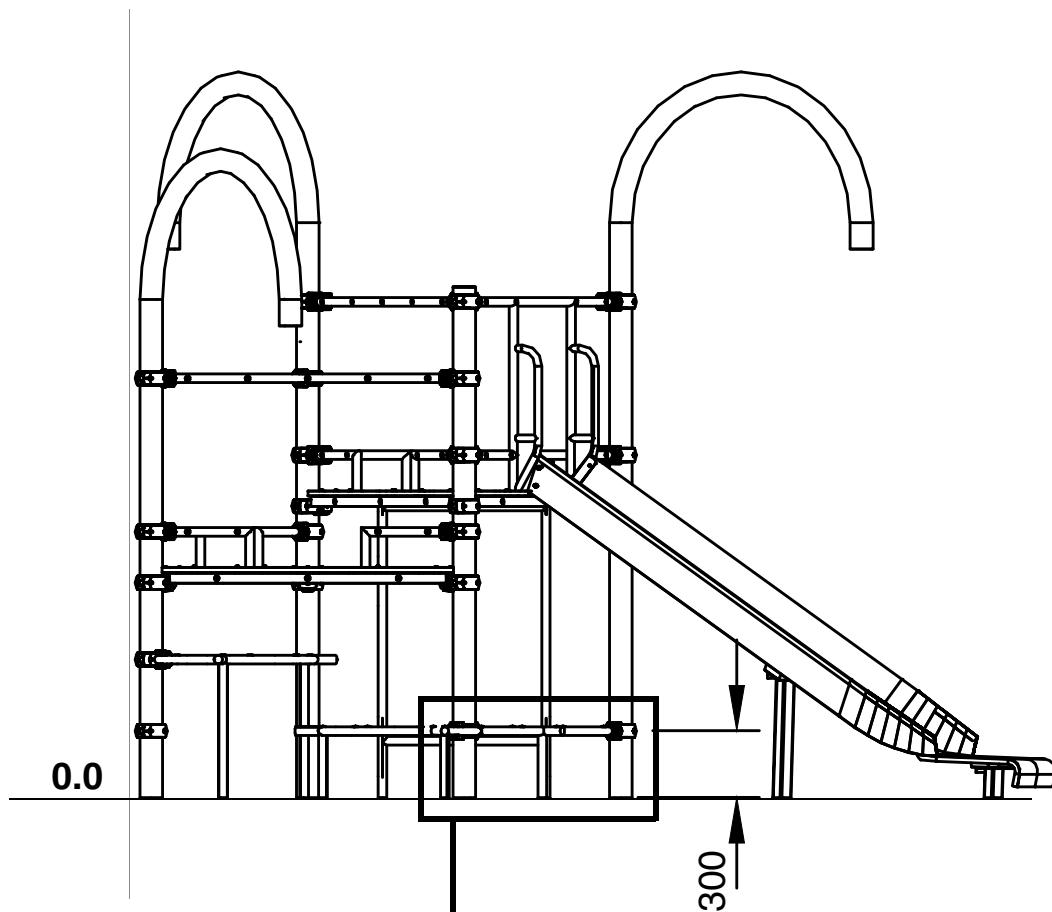


**STEP 17**

**X-002/P** **42**

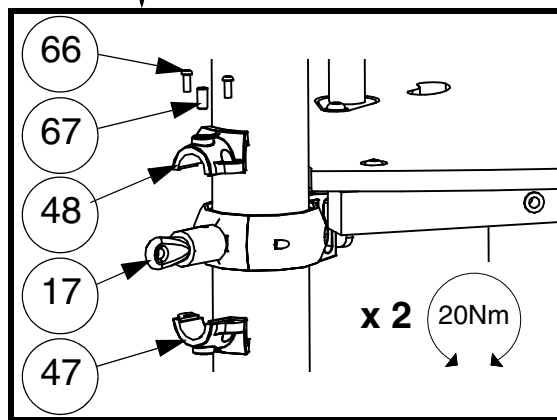
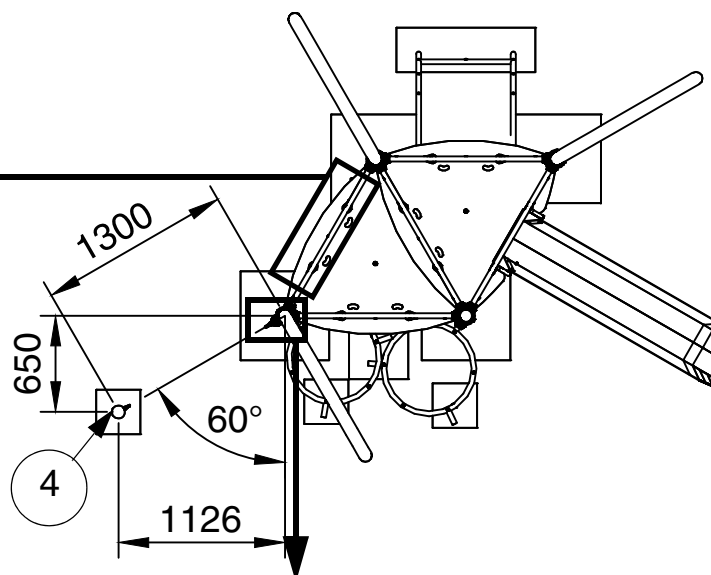
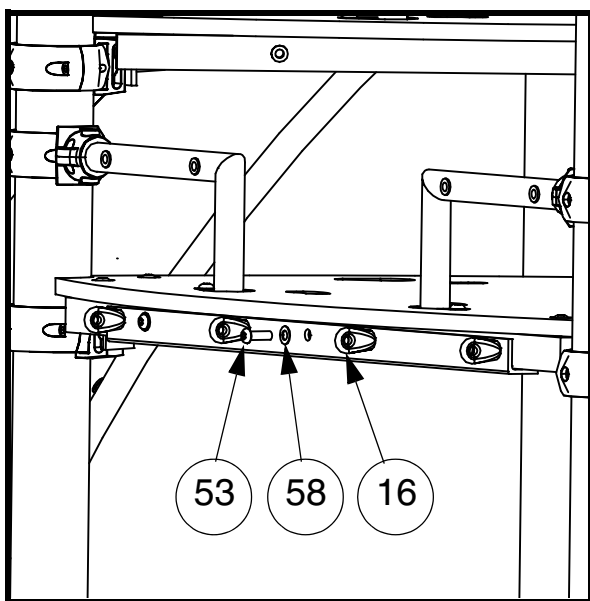


# STEP 18

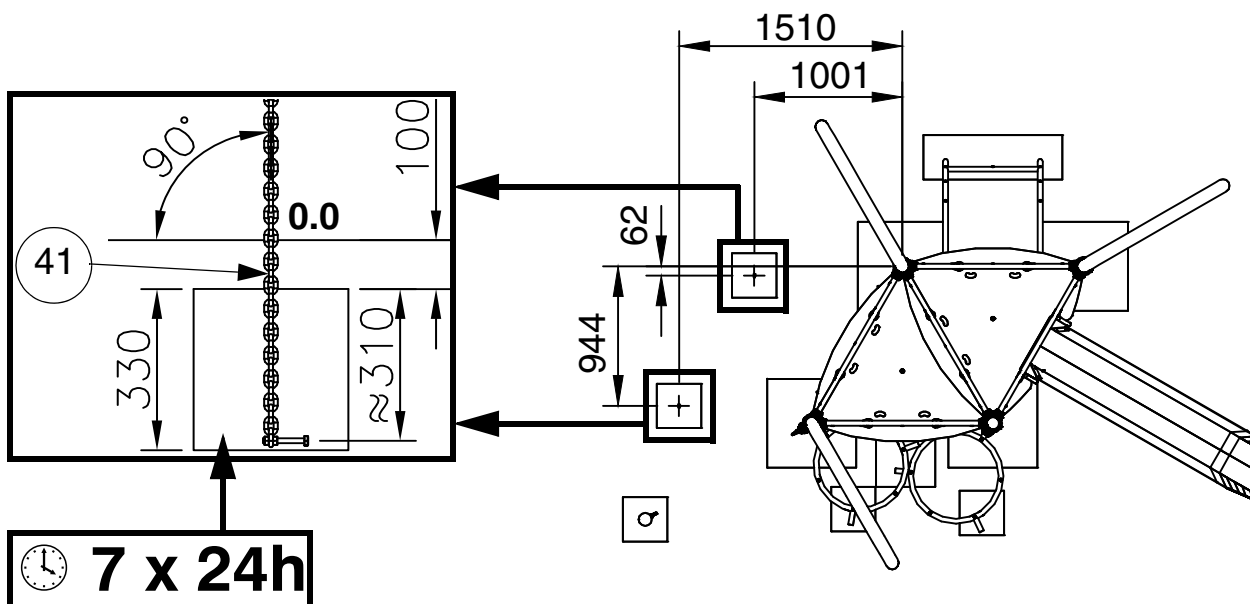




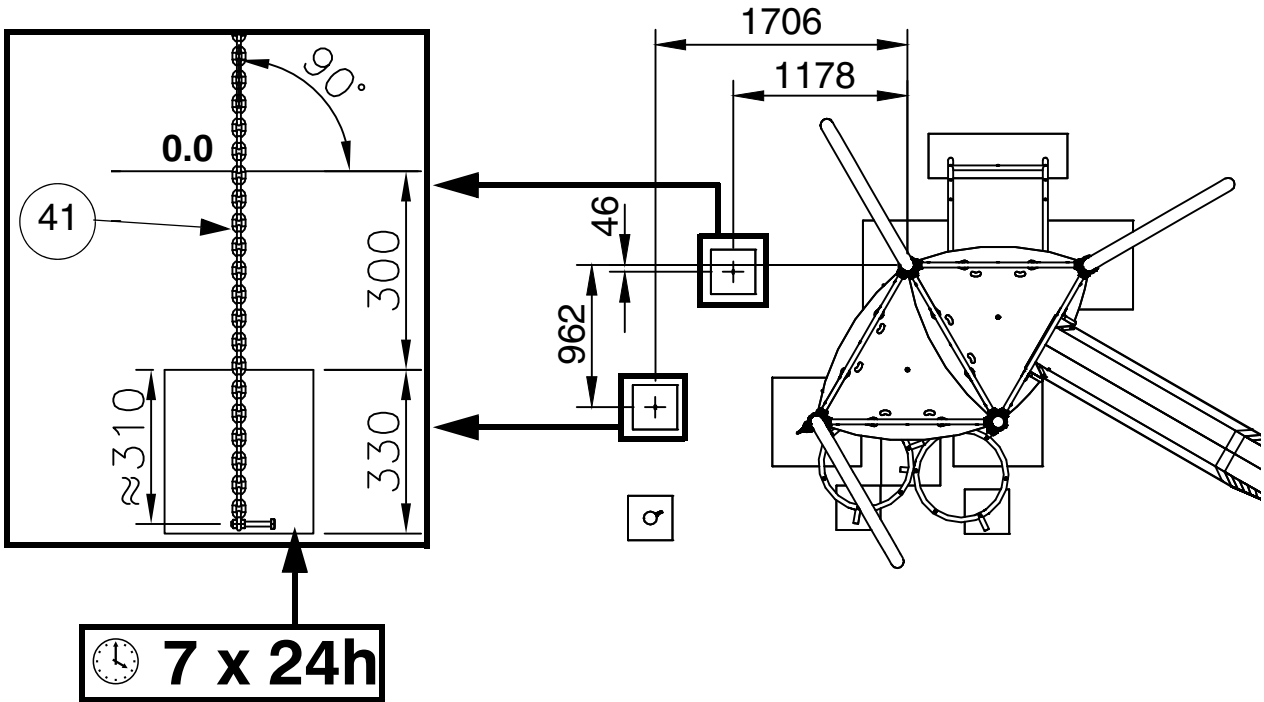
### STEP 19



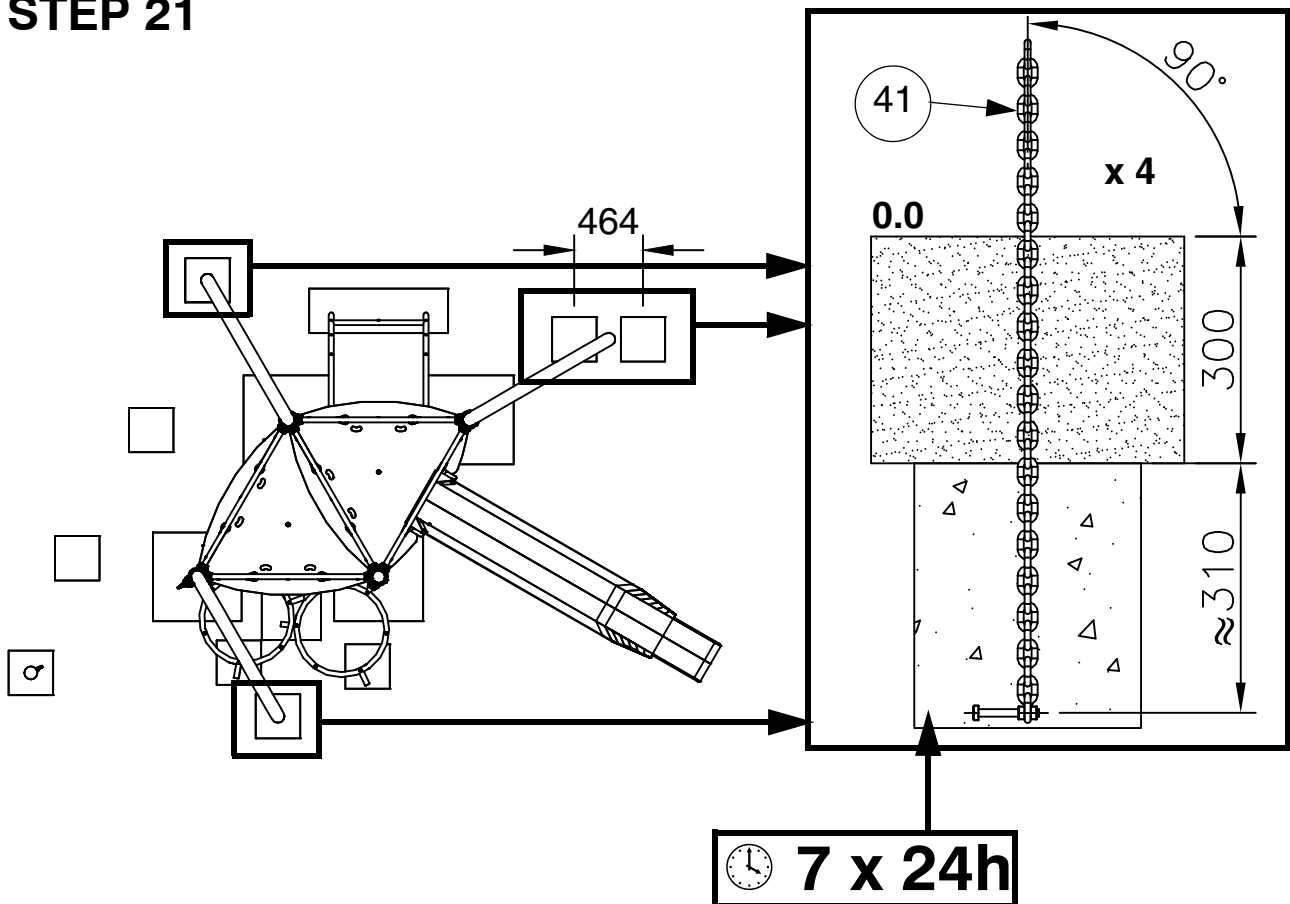
### STEP 20A TYPE 3



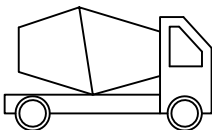


# STEP 20B TYPE 2



# STEP 21

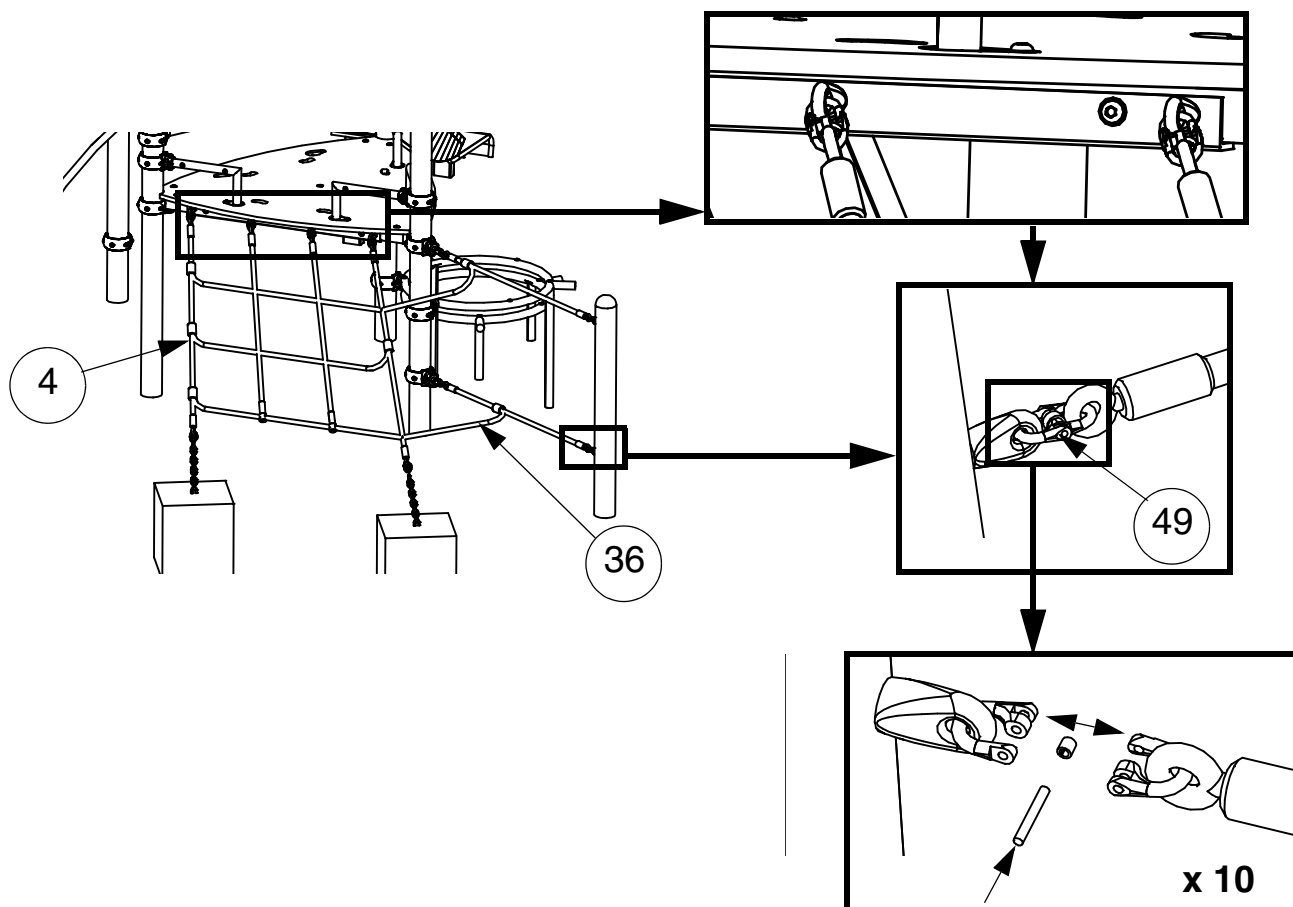


# STEP 22

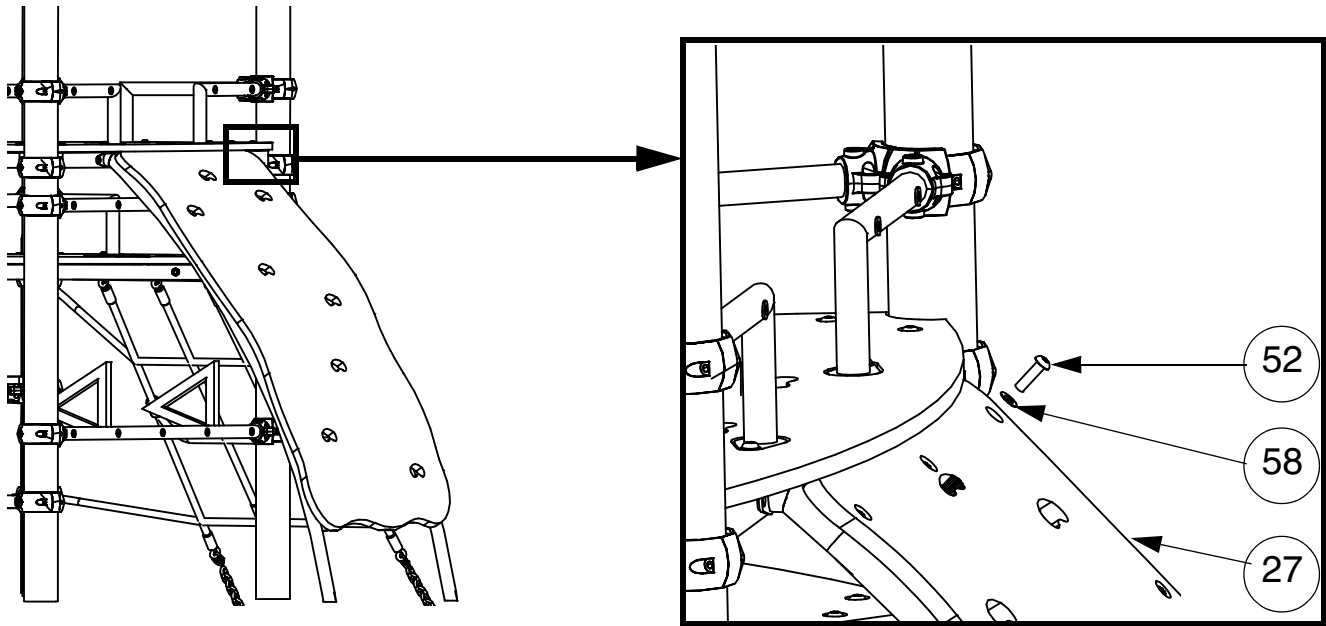
	
S2 (50mm)	
≥C20-25	
	7 x 24h
	101

		<b>5 - 8</b>
---	---	--------------

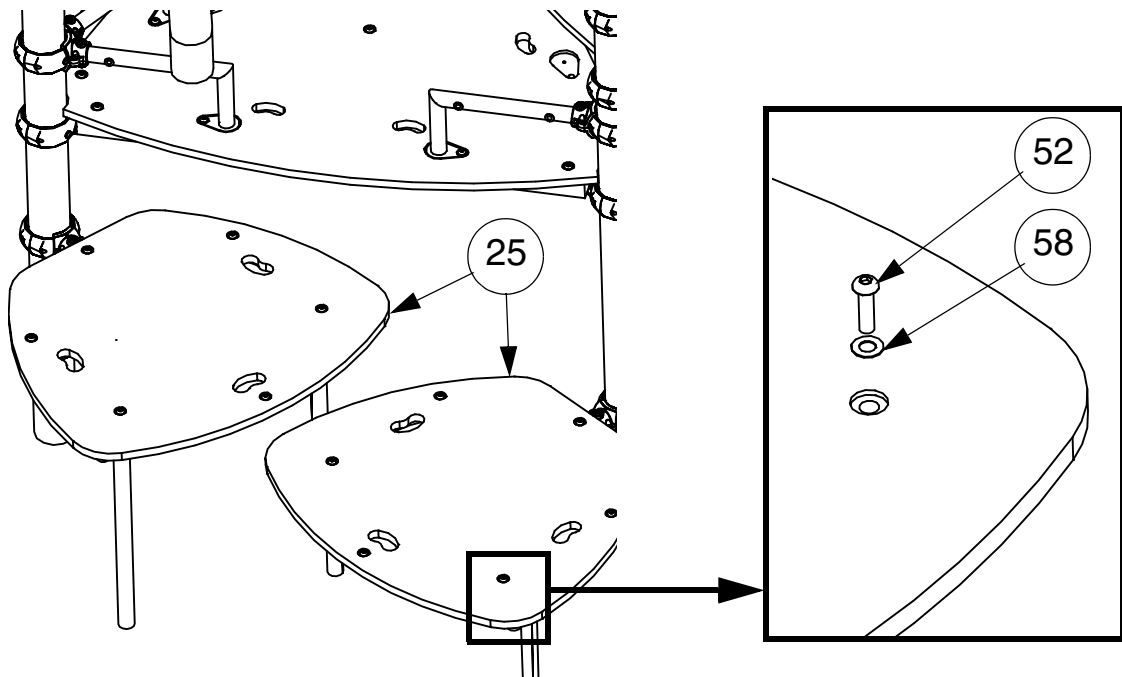
# STEP 23



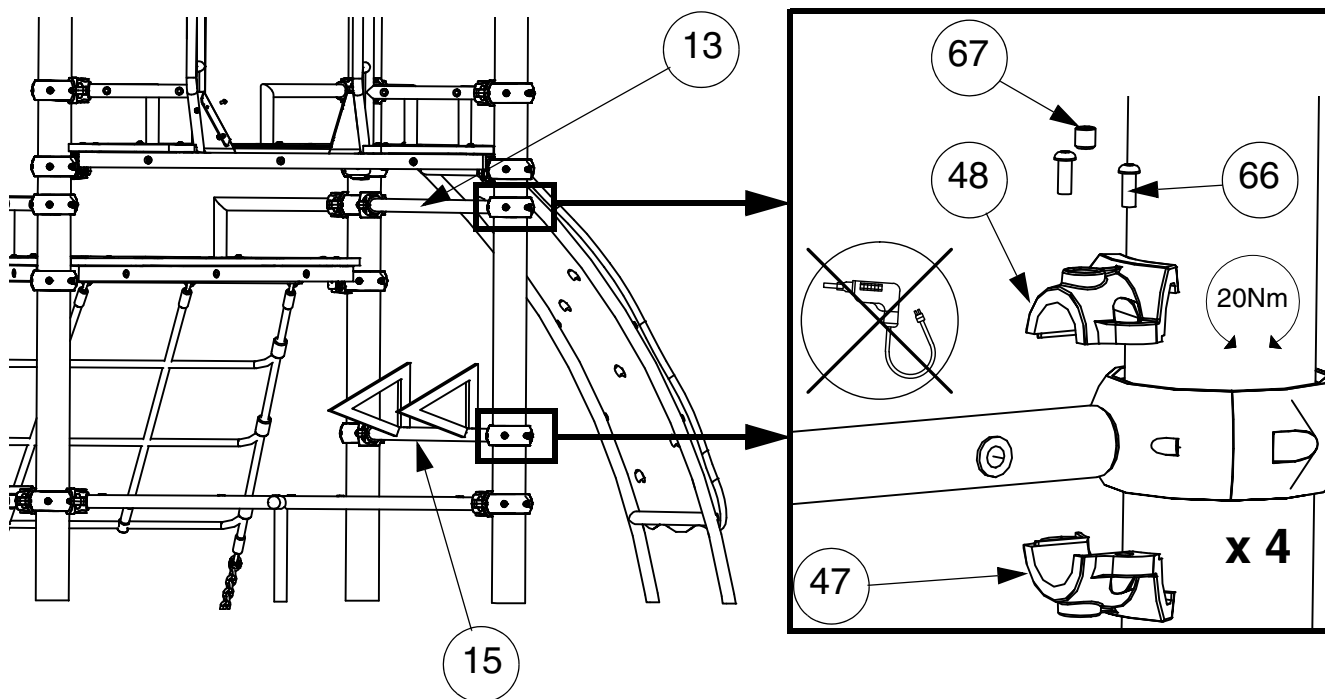
## STEP 24



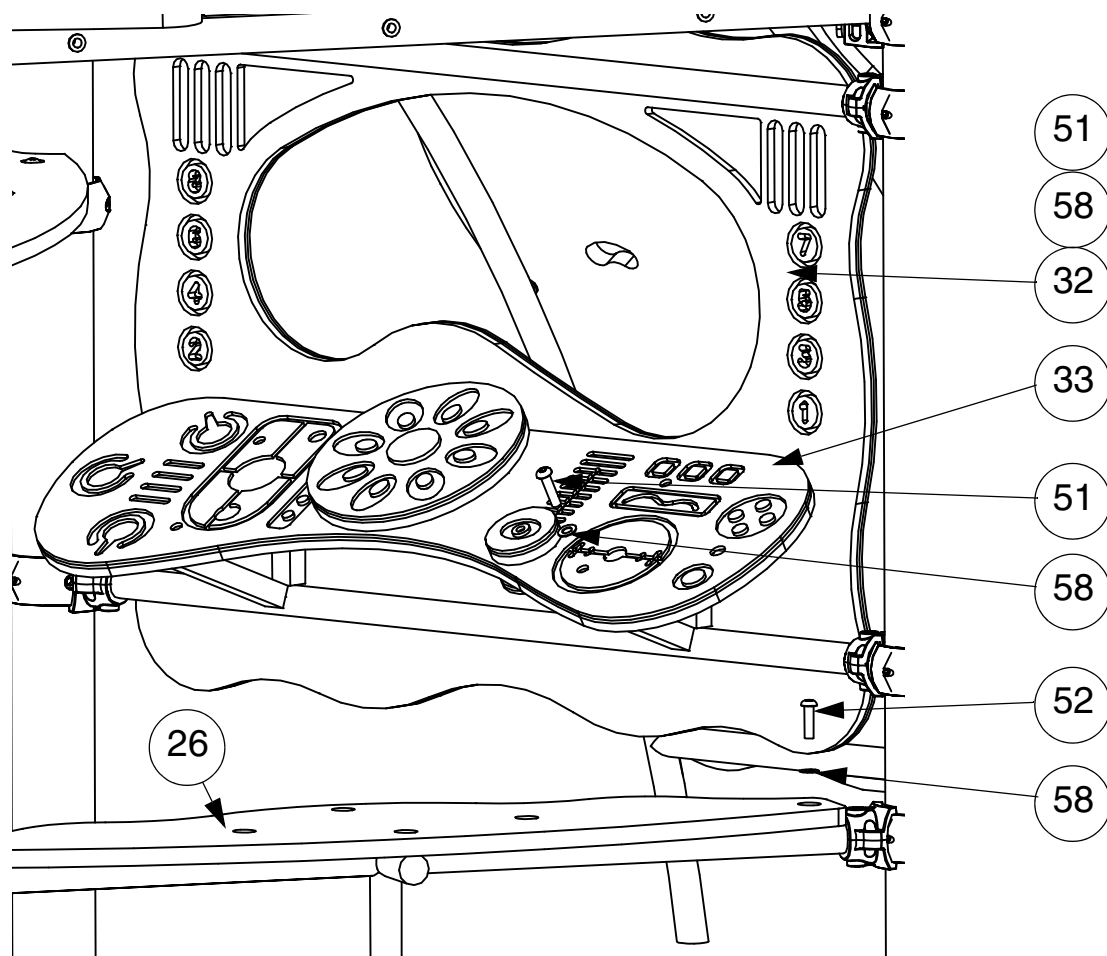
## STEP 25



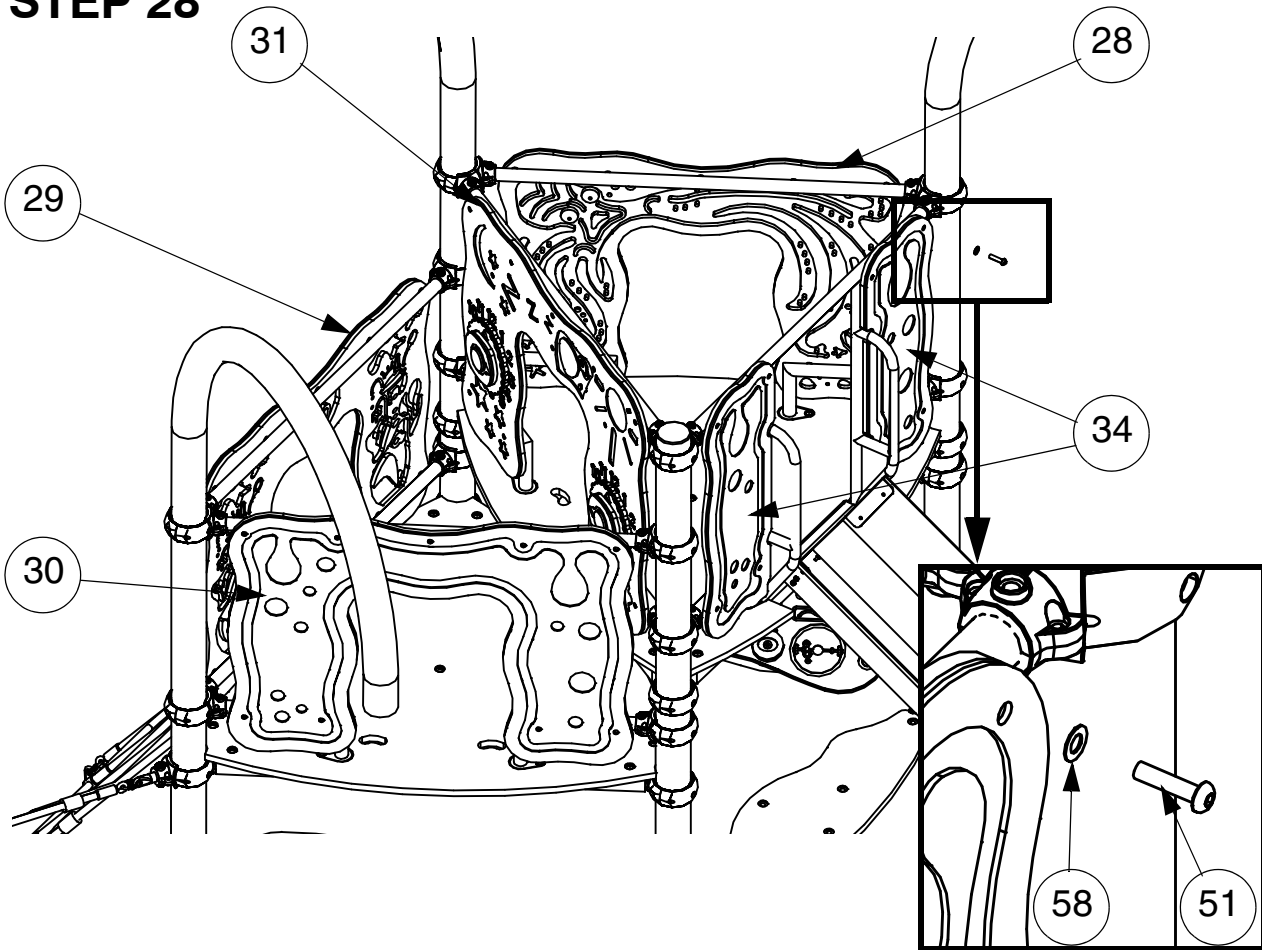
## STEP 26



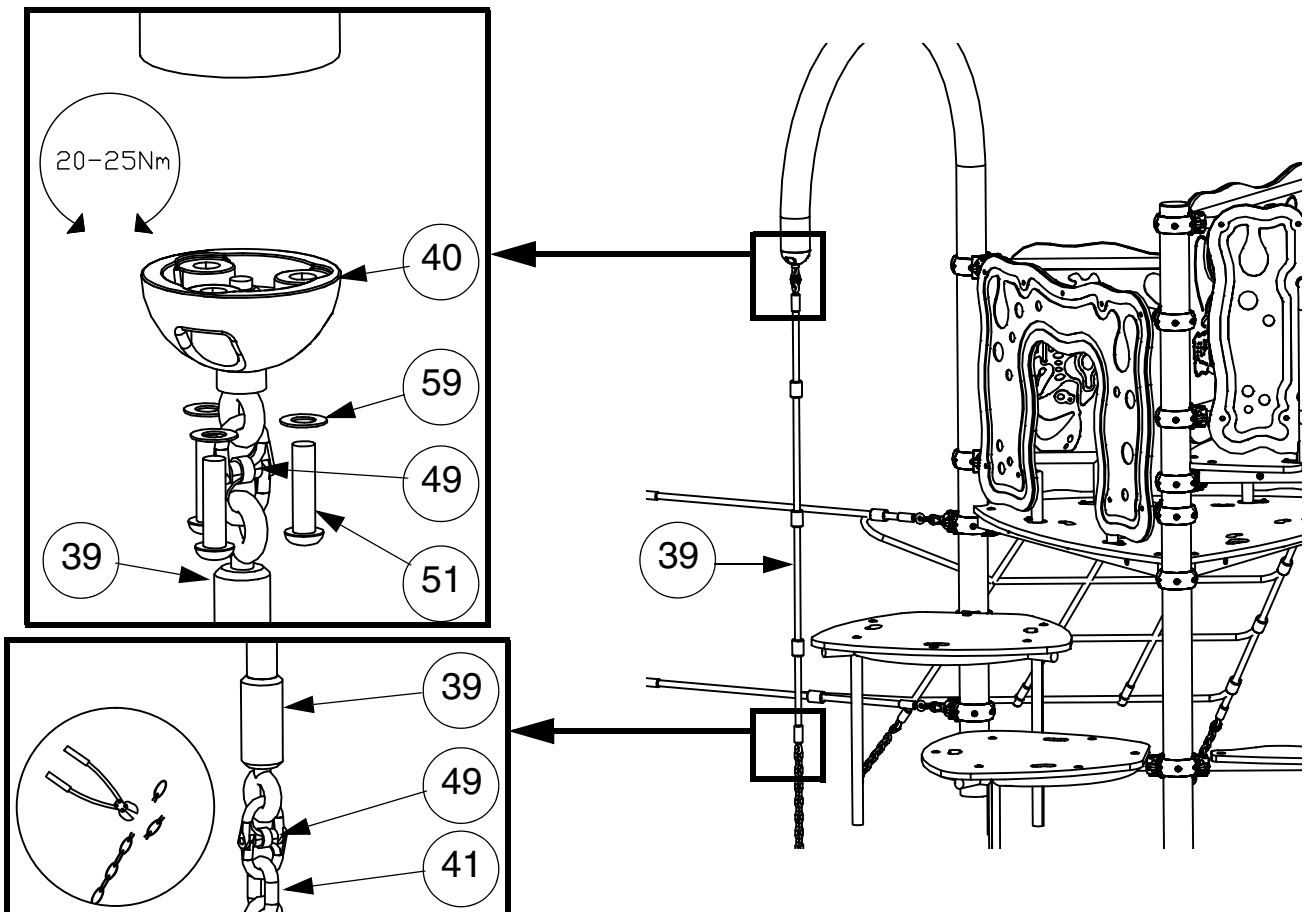
## STEP 27



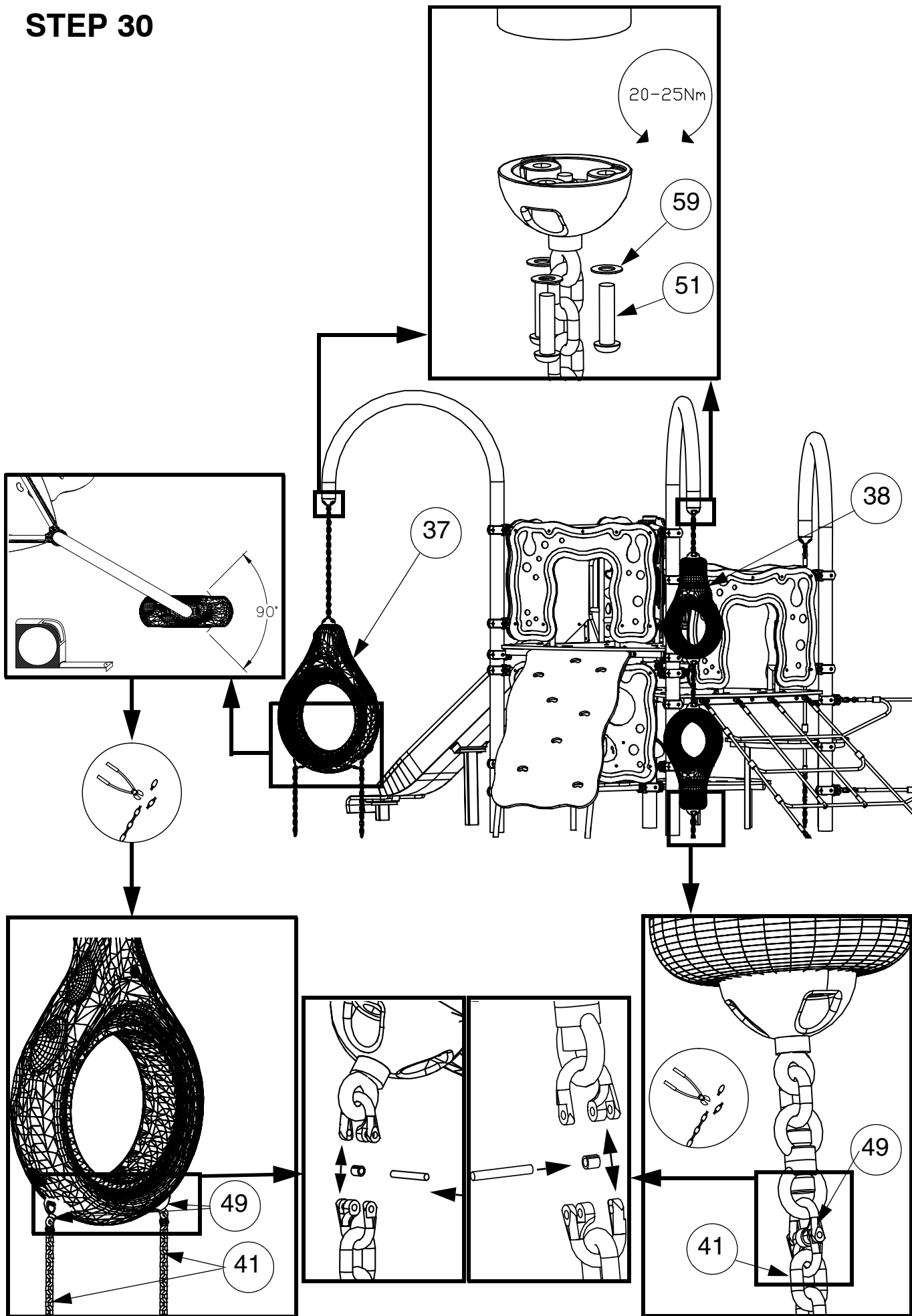
# STEP 28



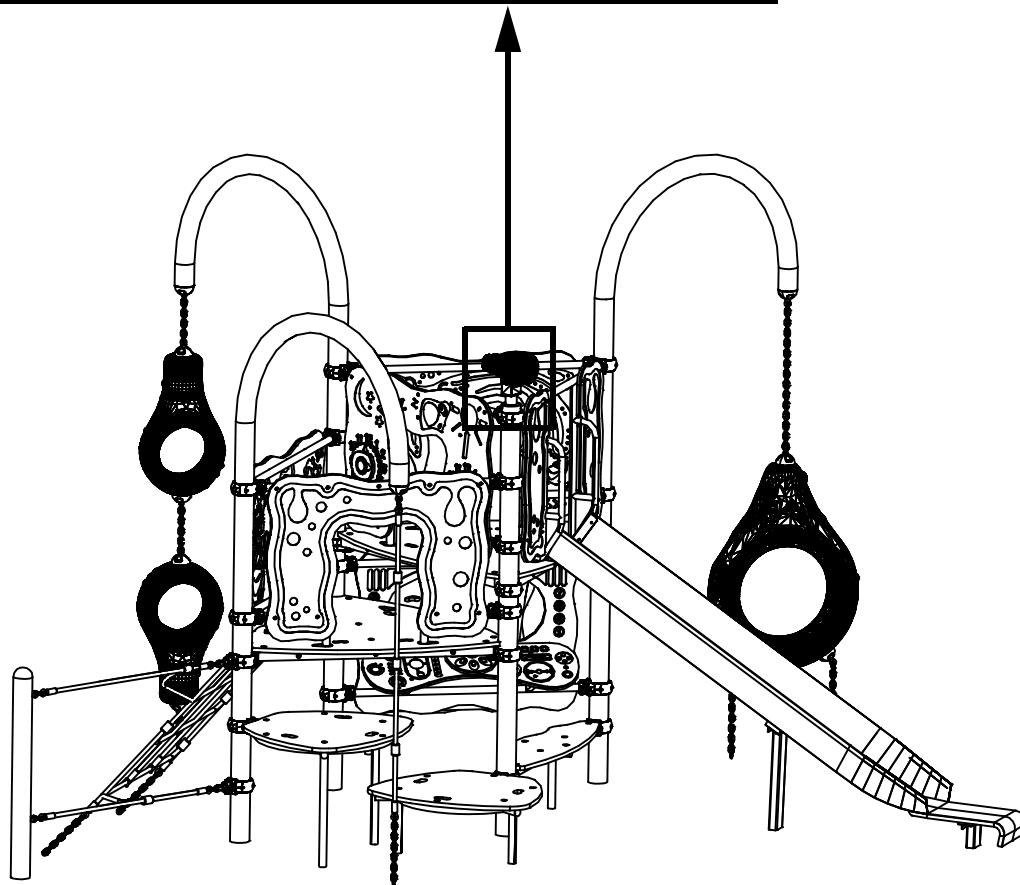
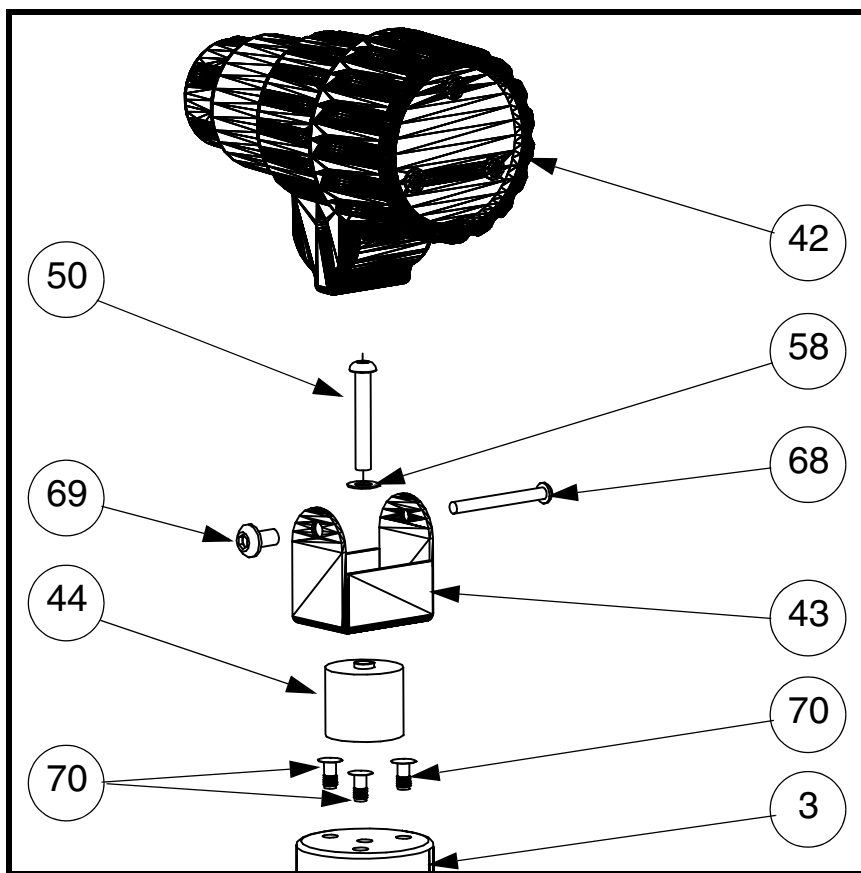
# STEP 29



# STEP 30



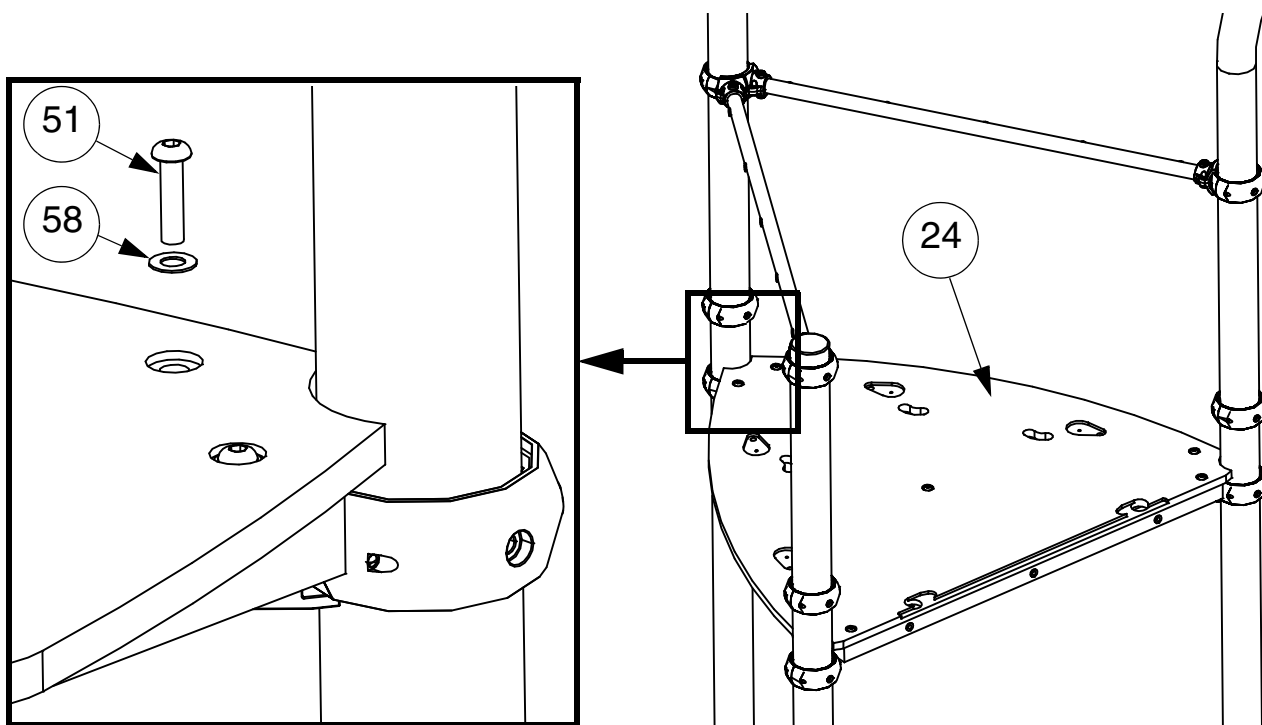
# STEP 31



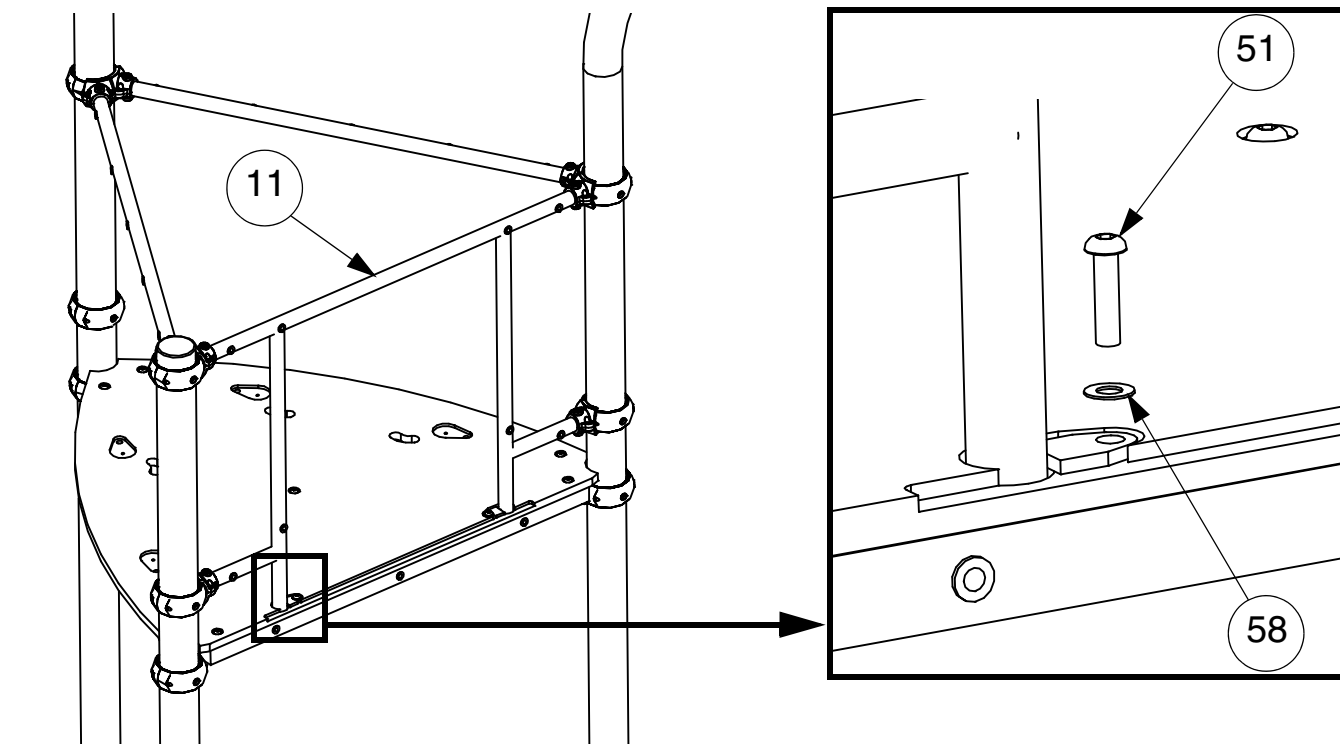


Appendix A: X-002/P

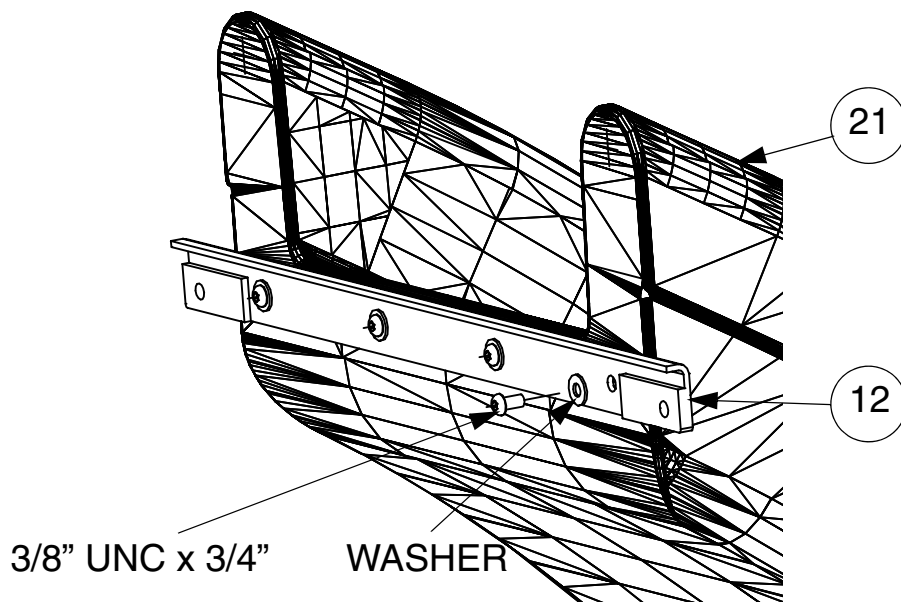
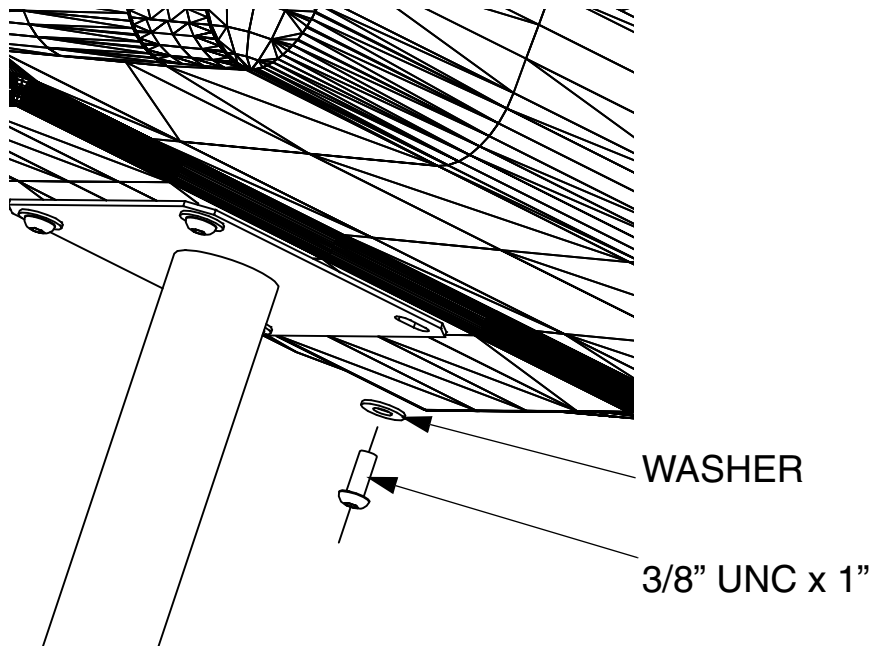
**STEP 7**



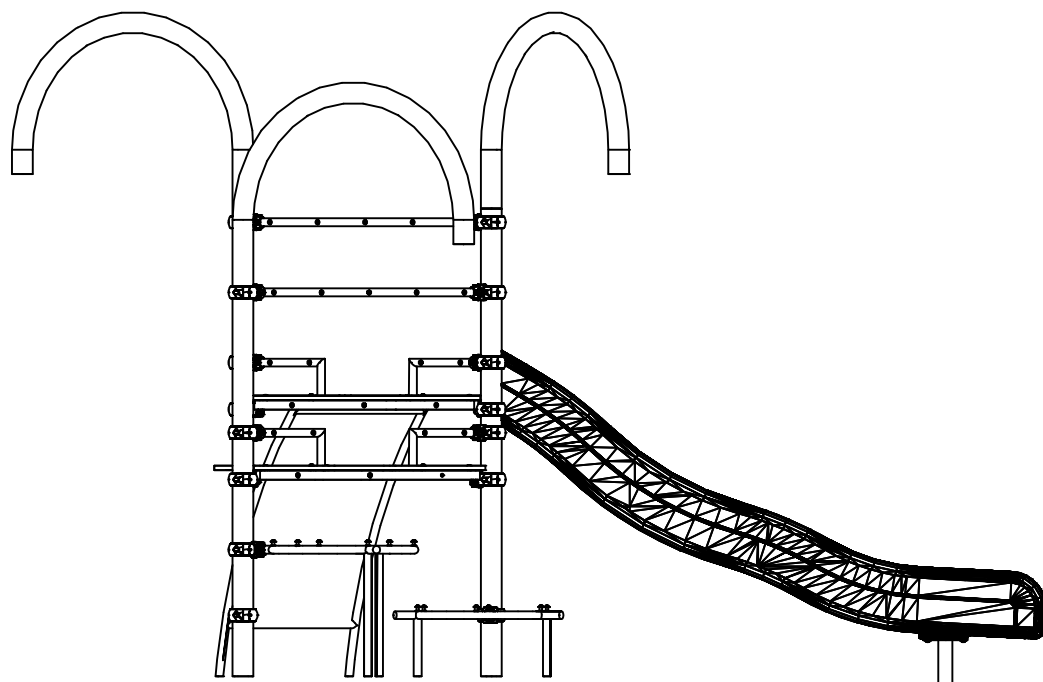
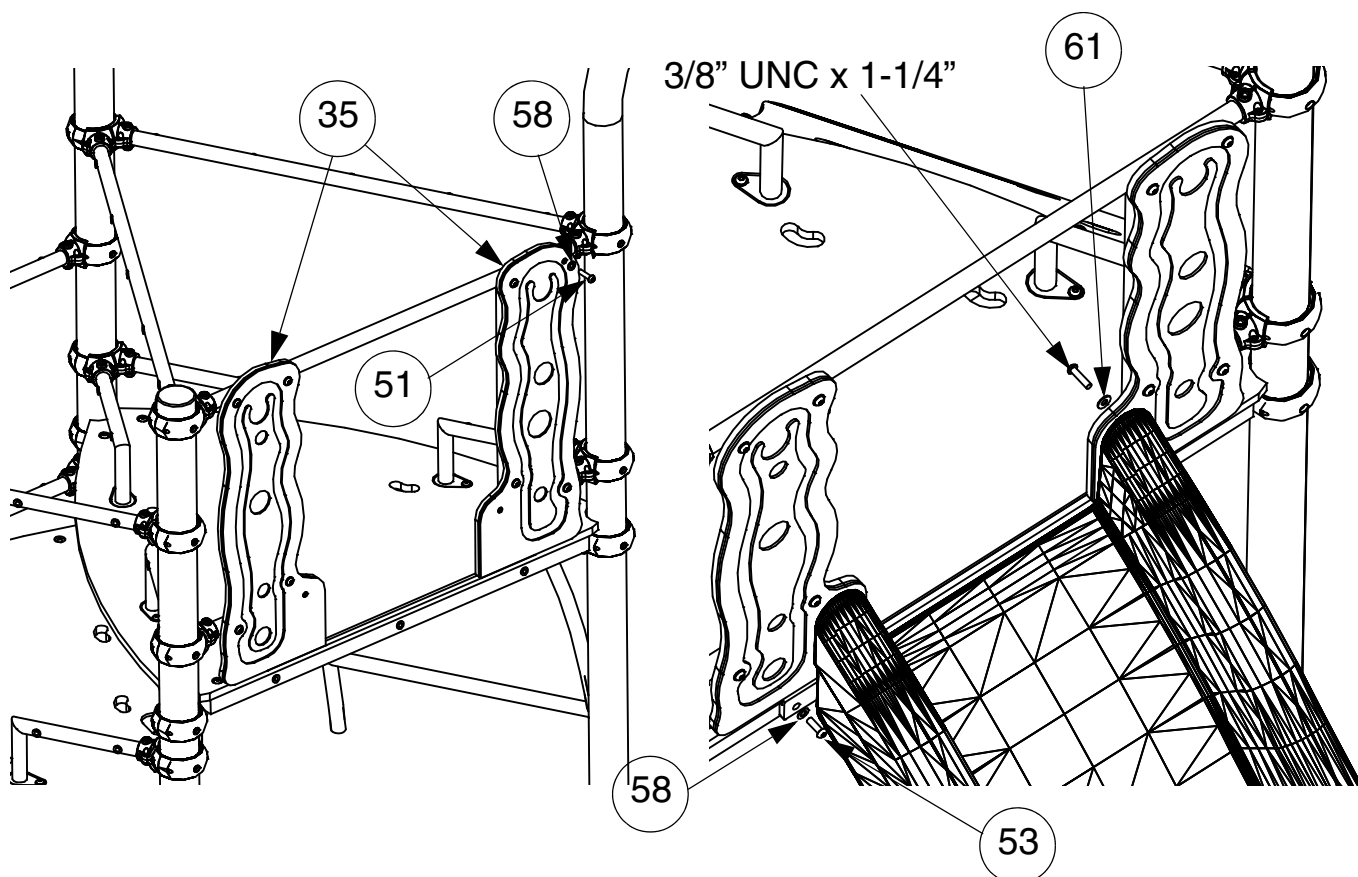
**STEP 9**

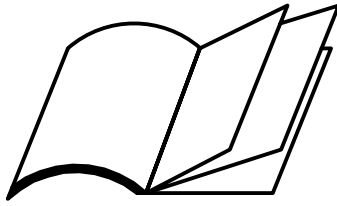


# STEP 17A

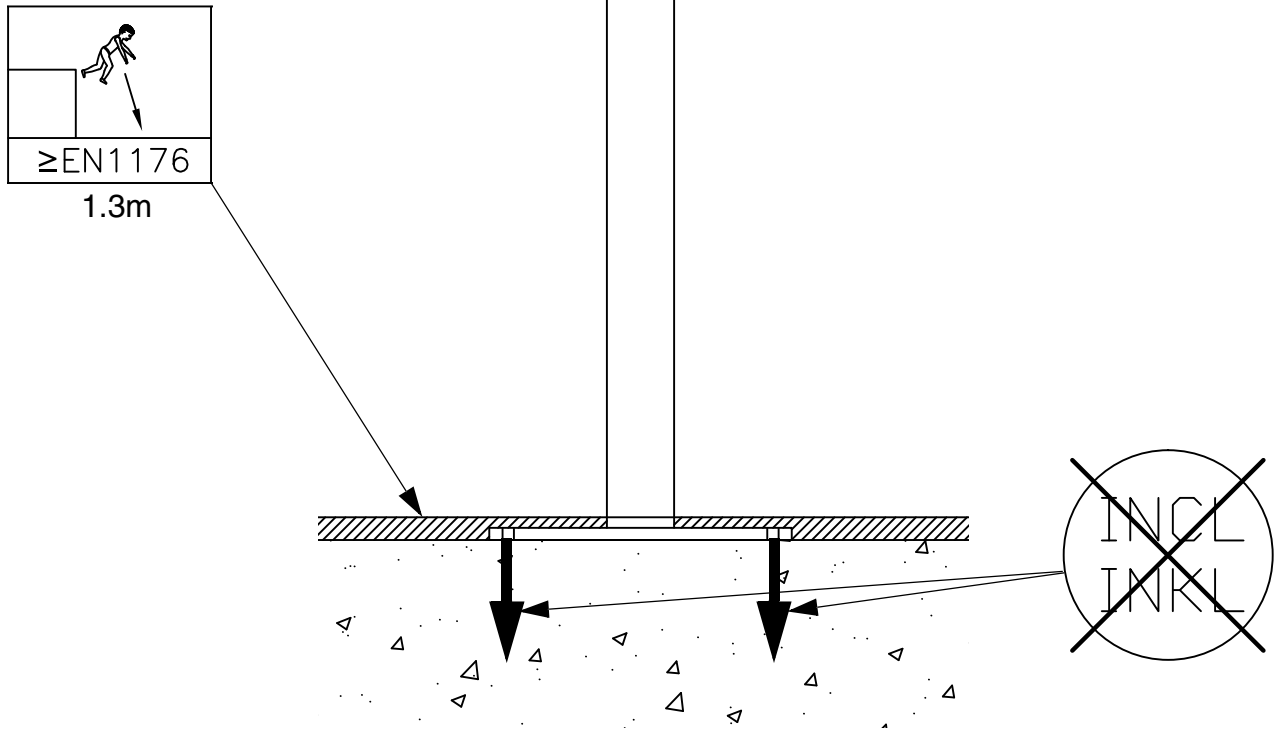


# STEP 17B

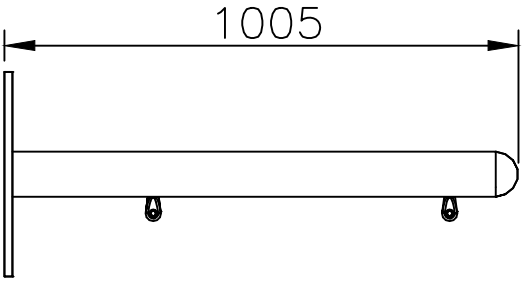
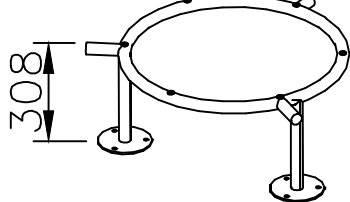
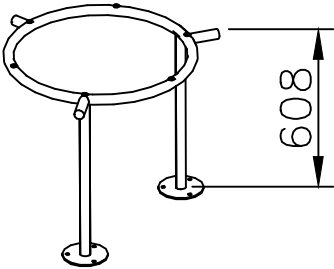
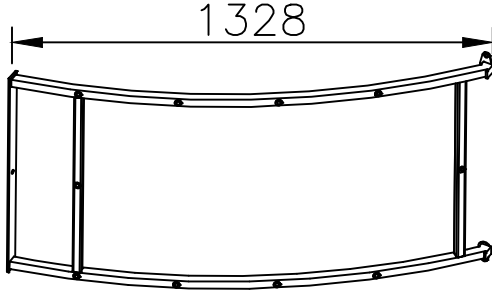
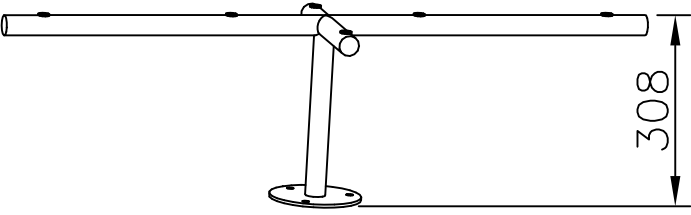
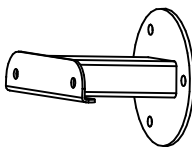



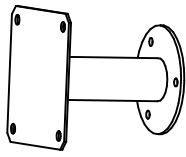
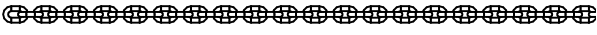
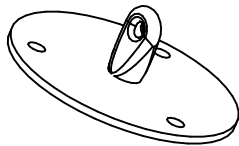
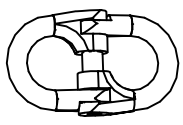


Appendix B: X-002/SD / X-002/PD



ITEM	REF.		X-002/SD	X-002/PD	kg
1	54003740		2		42.00
2	54003440		1		38.00
3	54012900		1		22.00

ITEM	REF.		X-002/SD	X-002/PD	kg
4	54011725		1		12.00
6	54040911		1		8.5
7	54041190		1		10.50
8	54021809		1		9.00
9	54020911		1		5.50
19	55081202		1		1.50
20	55081203		1		3.00

ITEM	REF.		X-002/SD	X-002/PD	kg
21A	55081201			1	3.00
41	38008026			6	1.50
41A	55050011			6	1.00
49	15715000			21	0.10

